

### Features

- Two lever handles offer separate control of hot and cold water.
- Part of the Occasion bathroom faucet and accessory collection.
- Requires valve (sold separately) for installation.

### Material

- Premium metal construction for durability and reliability.

### Installation

- Wall-mount.

### Required Products/Accessories

K-410-K Wall-mount Valve

### Recommended Products/Accessories

K-23726 Drain treatment

K-23723 Faucet cleaner



ADA

CSA B651

OBC

### Codes/Standards

ASME A112.18.1/CSA B125.1

ADA

ICC/ANSI A117.1

CSA B651

OBC

### KOHLER® Faucet Lifetime Limited Warranty

See website for detailed warranty information.

### Available Colors/Finishes

*Color tiles intended for reference only.*

Color	Code	Description
-------	------	-------------

CP

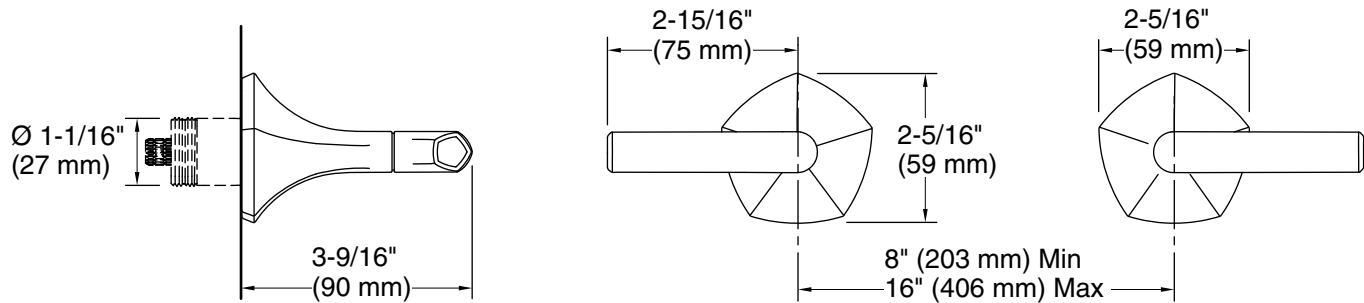
SN

BN

BL

2MB

BMB



### Technical Information

All product dimensions are nominal.

#### Faucet:

Flow rate: 1.2 gal/min (4.5 l/min)

Pressure: 60 psi (4.1 bar)

Drain included: No

Drain with overflow: No

### Notes

ADA, OBC, CSA B651 compliant when installed to the specific requirements of these regulations.