

INSTALLATION INSTRUCTIONS

Item#P1357-618 (New. 10/26/2017)

READ AND SAVE THESE INSTRUCTIONS

WARNING! SHUT POWER OFF AT FUSE OR CIRCUIT BREAKER.
AVERTISSEMENT! COUPER LE COURANT AU NIVEAU DES FUSIBLES OU DU DISJONCTEUR.

HANGING THE FIXTURE (Fig. 1)

1. Shut off the power at the fuse box or circuit breaker. If necessary, remove the old fixture including the mounting hardware.
2. Carefully remove the new fixture from the carton and lay out all the parts on a clear area. Take care not to lose any small part necessary for installation.
3. Thread screws (A) into the pre-drilled holes in the circular strap (B) spaced the same distance apart as the holes in the canopy (D).
4. Attach the circular strap (B) to the Junction box using mounting screws (C) (Size: #8-32N*L0.5"). The side of the circular strap marked "GND" must face out.
5. Secure the rod and canopy assembly (F) onto the nipple (G) located on the top of fixture body.

CONNECTING THE WIRES (Fig. 2)

6. At this point, connect the fixture wires to the outlet box wires as shown in Fig. 2, making sure that all wire connectors are secured. If your outlet has a ground wire (green or bare copper), connect the fixture's ground wire to it. Otherwise, connect the fixture's ground wire directly to the circular strap (A) using the green screw provided. After wires connected, tuck them carefully into the outlet box.

COMPLETING THE INSTALLATION (Fig. 1)

7. Thread screws (A) into canopy (D), and secure with knurled knobs (E).
8. Secure rod (H) onto the nipple (I) of the fixture body.
9. Install the 3*75W Xenon bulb (K) (included) in accordance with the fixture's specifications. **(DO NOT EXCEED THE MAXIMUM WATTAGE RATING!).** **(NE PAS DEPASSER LA PUISSANCE NOMINALE MAXIMALE!).**
10. Place the glass shade (L) over the socket and twist to secure it to the socket cup (J).

Your installation is now complete. Return power to the outlet box and test the fixture.

Note: Illustration (Fig.1) on this manual is for installation purposes only. It may or may not be identical to the fixture purchased.

IMPORTANT: FIXTURE SHOULD BE INSTALLED BY A QUALIFIED ELECTRICIAN TO ENSURE PROPER WIRING AND INSTALLATION.

Fig. 1

Set# A-020
-Circular Strap
-Ground screw
-Mounting Screw*2

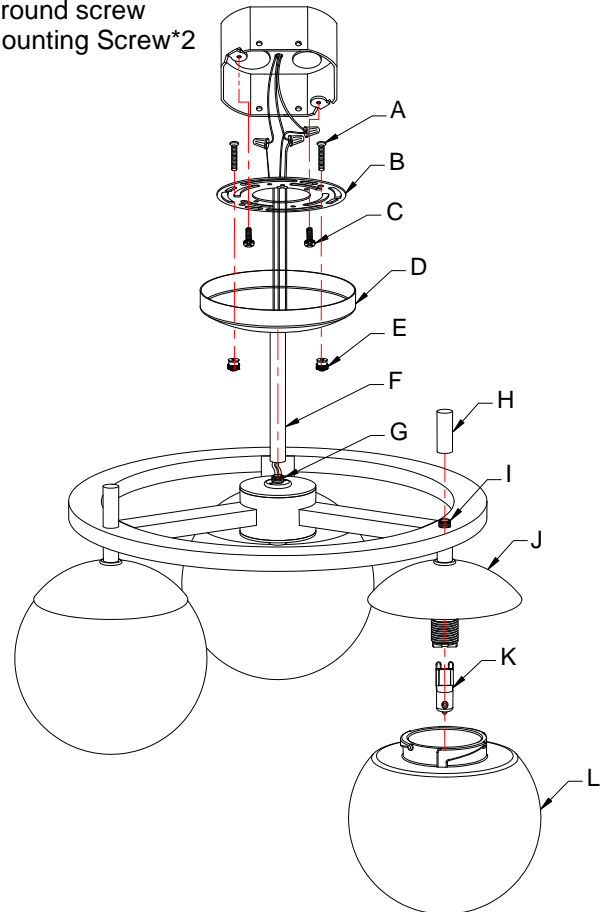


Fig. 2

