

INSTALLATION INSTRUCTIONS

Item # P195

WARNING! SHUT POWER OFF AT FUSE OR CIRCUIT BREAKER BEFORE INSTALLATION.
AVERTISSEMENT ! COUPER LE COURANT AUNIVEAU DES FUSIBLES OU DU DISJONCTEUR

MOUNTING THE FIXTURE (Fig. 1)

1. Shut off the power at the circuit breaker box (avertissement! couper le courant au niveau des fusibles ou du disjoncteur) and remove the old fixture, including the mounting hardware..
2. Shut off power at the circuit breaker and remove the old fixture including the mounting hardware.
3. Attach the crossbar (A) (part#A-010) to the junction box with junction box screws (C)(size:8-32*1/2"L). The side of the crossbar marked "GND" must face out.
4. Thread the nipple (J) into the center hole of the crossbar (A) and secure with hex nut (K).

CONNECTING THE WIRES (Fig. 2)

5. At this point, connect the electrical wires as shown in Fig. 2, making sure that all wire connectors are secured. If your outlet box has a ground wire (green or bare copper), connect the fixture's ground wire to it. Otherwise, connect the fixture's ground wire directly to the mounting plate using the green Screw provided. After wires are connected, tuck them carefully inside the junction box.

COMPLETING THE INSTALLATION

6. Place the fixture canopy (E) over the nipple (J) and secure with the cap nut (F)
1. Install the light bulb (1*60W A19) (not included) in accordance with the fixture's specification: **(DO NOT EXCEED THE MAXIMUM WATTAGE RATING!) (NE PAS DEPASSER LA PUISSANCE NOMINALE MAXIMALE)**
7. Slide the glass shade (D) into the glass holder (L).

Your installation is now complete. Return power to the junction box and test the fixture.

IMPORTANT: FIXTURE SHOULD BE INSTALLED BY A QUALIFIED ELECTRICIAN TO ENSURE PROPER WIRING AND INSTALLATION.

Fig.1

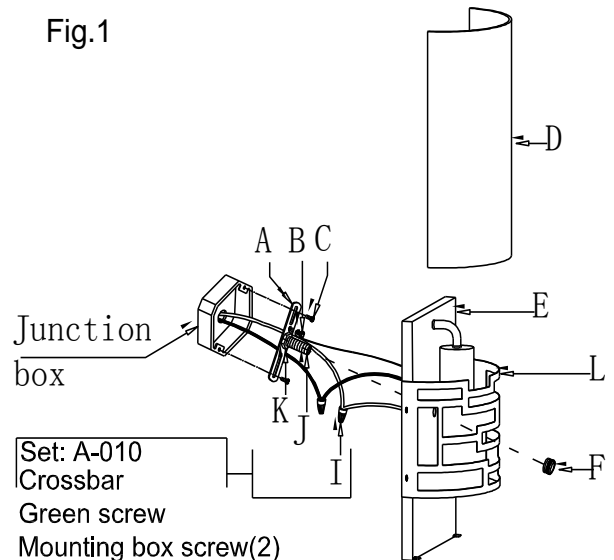
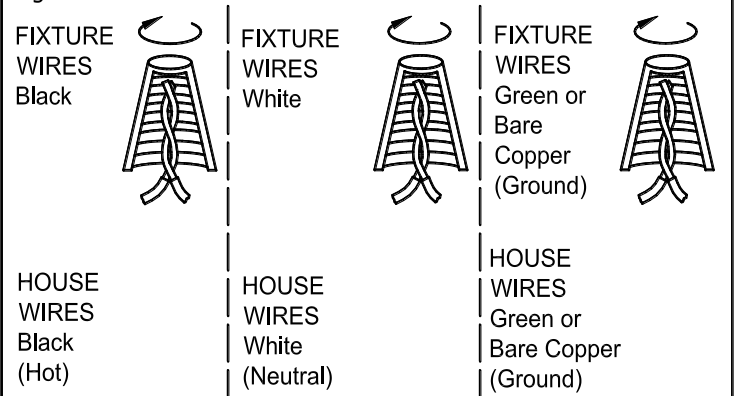


Fig .2



MIN 75°C SUPPLY CONDUCTORS



american
lighting
association