

INSTALLATION INSTRUCTIONS FOR P6981/P6982/P6983/P6984-L

For LED Wall Mount Fixture

WARNING! SHUT POWER OFF AT FUSE OR CIRCUIT BREAKER.

AVERTISSEMENT ! COUPER LE COURANT AU NIVEAU DES FUSIBLES OU DODISJONCTEUR.

PREPARATION

1. Shut off power at the circuit breaker and remove the old fixture, including the mounting hardware.
2. Carefully remove the fixture from the carton and check that all parts are included as shown in the illustration.
3. Position mounting plate (C) on the wall, and mark the location of the two drywall anchors (D). Pre-drill the holes for the drywall anchors (D). Insert the drywall anchors (D) into the wall.
4. Attach the mounting plate (C) to the outlet box with mounting screws (B) (Size:8-32*1/2"L) and wood screws (N). The side of the mounting plate marked "GND" must face out.

CONNECTING THE WIRES

5. Connect the electrical wires as shown in Fig.2, making sure that all wire nuts are secured. If your outlet has a ground wire (green or bare copper), connect the fixture's ground Wire to it. Otherwise, connect the fixture's ground wire directly to the Mounting plate (C) using the green screw (A) provided.

FINISHING THE INSTALLATION (FIG. 1)

6. Align fixture (I) to mounting plate (C) and secure with screws (J).
7. Hang crystal strands (H) to the holes on the frame (T). Place the cage (L) onto the clips (G) and secure cage (L) to fixture (I) with cap nuts (K).

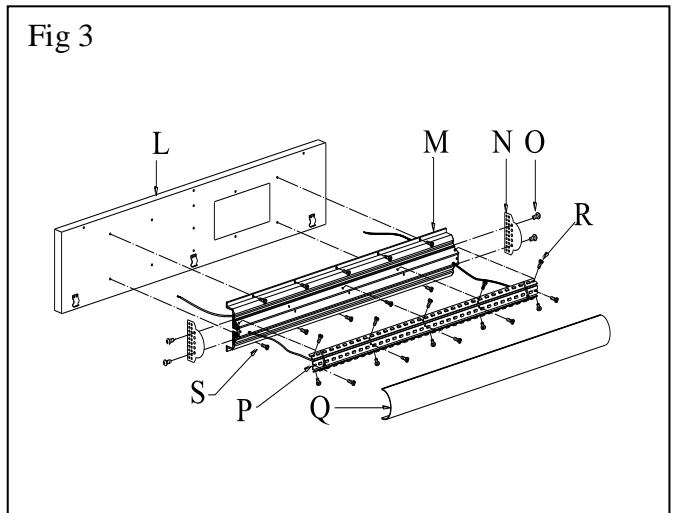
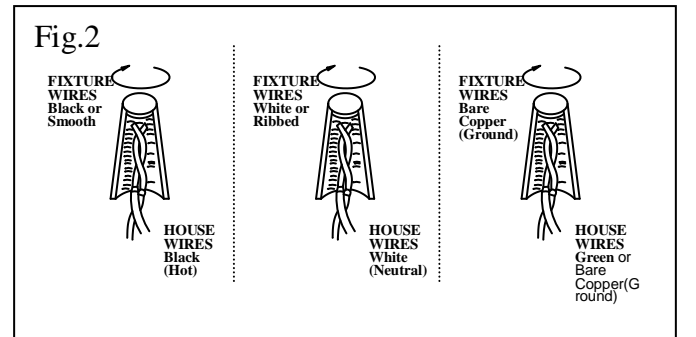
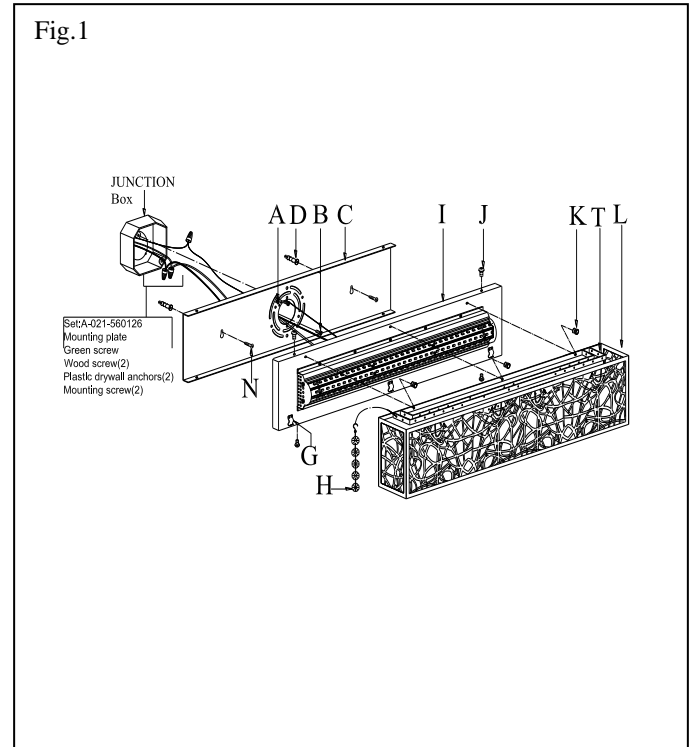
CAUTION /ATTENTION : When handling the fixture, do not apply pressure to the LEDs. Hold the fixture by the base or front plate (I) only.

Replacing LED module (Fig. 3)

The LED module can be replaced by a qualified electrician without cutting of wire and without damage to any decorative element to which the fixture is attached. See installation steps for more details (Fig 3.)

Warning: Turn off power at the circuit breaker before replacing LED module or LED driver.

- a. Remove cage (L) from fixture (I) and remove fixture (I) from mounting plate (C).
- b. Remove the wire nuts located inside the fixture (I) to disconnect the LED module.
- c. Remove screws (O) on cover (N) to remove the cover (N) and acrylic shade (Q). Remove screws (S) to remove the heat sink (M) from fixture (I).
- d. Remove screws (R) and remove LED module (P) from heat sink (M).
- e. Reverse steps a-c for installing the new LED module.
- f. Note: The LED module should be provided by a specified supplier.
- g. For better heat dissipation the LED module (Q) should be applied with thermal grease when re-lamping.



Brand: Lutron

Ordering Information

■ Boxed

● Clamshell

Model number	Product name	Control type	Maximum capacity
■ DVCL-153P-	Diva C-L	Single-pole/3-way dimmer-	150 W CFL/LED or 600 W Incandescent/ Halogen 120 V
● DVCL-153PH-			
■ DVSCCL-153P-	Diva C-L Satin Colors		
■ CTCL-153P-			
● CTCL-153PH-			
■ AYCL-153P-	Ariadni C-L		
● AYCL153PH-			
● TTCL-100H-	Credenza C-L	Single-pole lamp dimmer	100W CFL/LED or 250W Incandescent/ Halogen 120v

IMPORTANT: Fixture should be installed by a qualified electrician to ensure proper wiring and installation. Dimmable with C-L (CFL & LED) type and Incandescent/Halogen type dimmers

