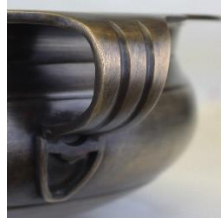




Shown in AB



B001

Bronze Bowl

DETAILS

Materials: Cast Bronze

Installation Type: Drop-in or Vessel Mount

Uses Standard 1.5" Drain

No Overflow

AVAILABLE FINISHES

| | | |
|--|-----------|-------------------------|
| | AB | Antique Bronze |
| | VB | Vintage Brass |
| | UB | Satin Unlacquered Brass |
| | WB | Satin White Bronze |
| | P | Polished White Bronze |

AVAILABLE DRAINS

| | | |
|--|--------------------|---------------------------|
| | D004 | Grid Strainer |
| | D005 | Lift & Turn |
| | D006 | Pop-up w/ lift rod |
| | D011 – D017 | Decorative Grid Strainers |
| | D101-D720 | Decorative Drains |

INSTALLATION

Drain should be installed first.

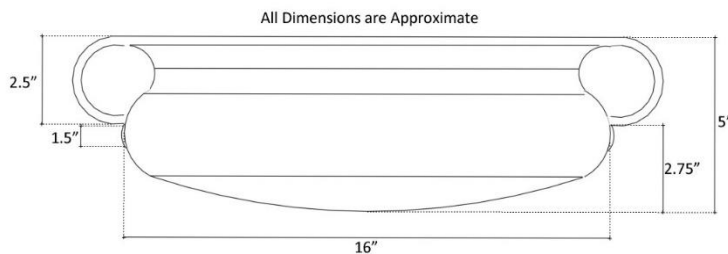
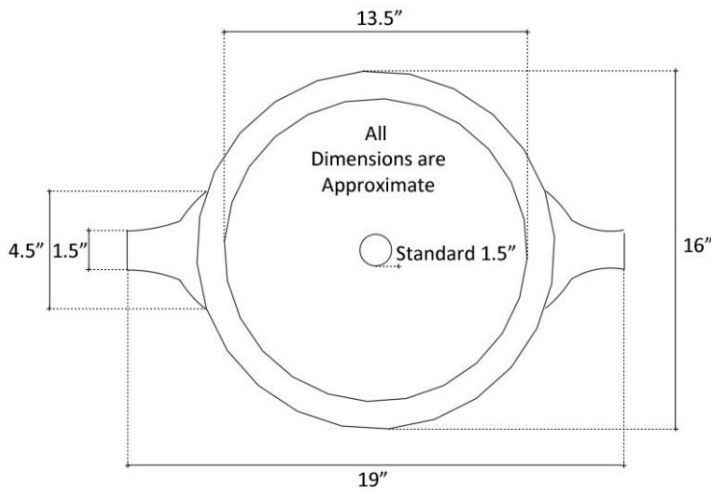
Cuts in countertop are up to the discretion of the installer. For vessel installation, we do not recommend securing the sink to the countertop with the drain, as this can cause stress around the drain and damage the sink over time. Use 100% silicone to adhere sink to countertop. Clean any excess silicone from the sink surface to avoid damaging the finish.

CARE

This sink has a living finish which will change with time and use. Use mild soap and water for everyday cleaning. Avoid any harsh abrasives, acidic cleaning products and antibacterial hand soap. A paste wax may be applied periodically to protect the finish and help with water spotting.

WARRANTY

Linkasink warranties our product to be free from manufacturing defect for the life of the product. Warranty does not cover abuse.



DIMENSIONS WILL VARY

DO NOT use this sheet as a guide for countertop cuts. Due to the handmade nature of each product, templates are not provided.