



## D052

HAWAIIAN QUILT DECORATIVE BASKET STRAINER

### DETAILS

Stainless Steel Construction  
Specify Finish Options  
Basket with Twist Nut

### DRAIN SIZE

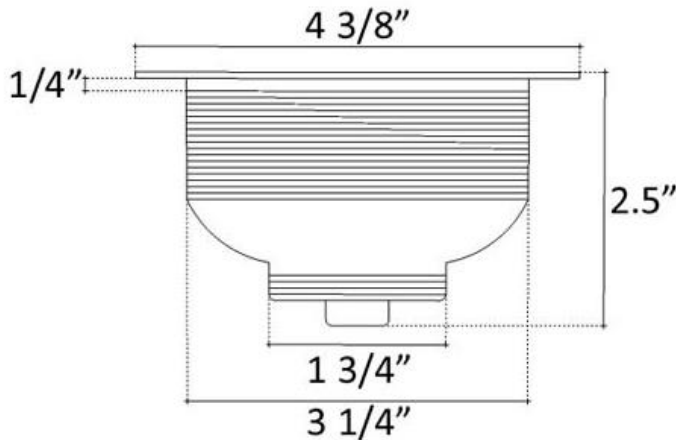
3.5" Standard Kitchen Drain, No Overflow

### AVAILABLE FINISHES

Shown in PS



	<b>PS</b>	Polished Smooth Stainless Steel
	<b>SS</b>	Satin Smooth Stainless Steel
	<b>PH</b>	Polished Hammered Stainless Steel
	<b>SH</b>	Satin Hammered Stainless Steel



### INSTALLATION

We recommend consulting a professional if you are unfamiliar with installing bathroom fixtures and plumbing. Linkasink accepts no liability for any damage to the floor, walls, plumbing, or personal injury during installation.

### CARE

Use mild soap and water for everyday cleaning. Avoid any harsh abrasives, chemicals, and acidic cleaning products. A soft toothbrush may be used for more thorough cleaning, but be careful not to damage the plated finish. A paste wax may be applied periodically to protect the finish and help with water spotting.

### WARRANTY

Linkasink warranties our product to be free from manufacturing defect for the life of the product. Warranty does not cover improper care, neglect or abuse.

### DIMENSIONS WILL VARY

**DO NOT** use this sheet as a guide for countertop cuts. Due to the handmade nature of each product, templates are not provided.