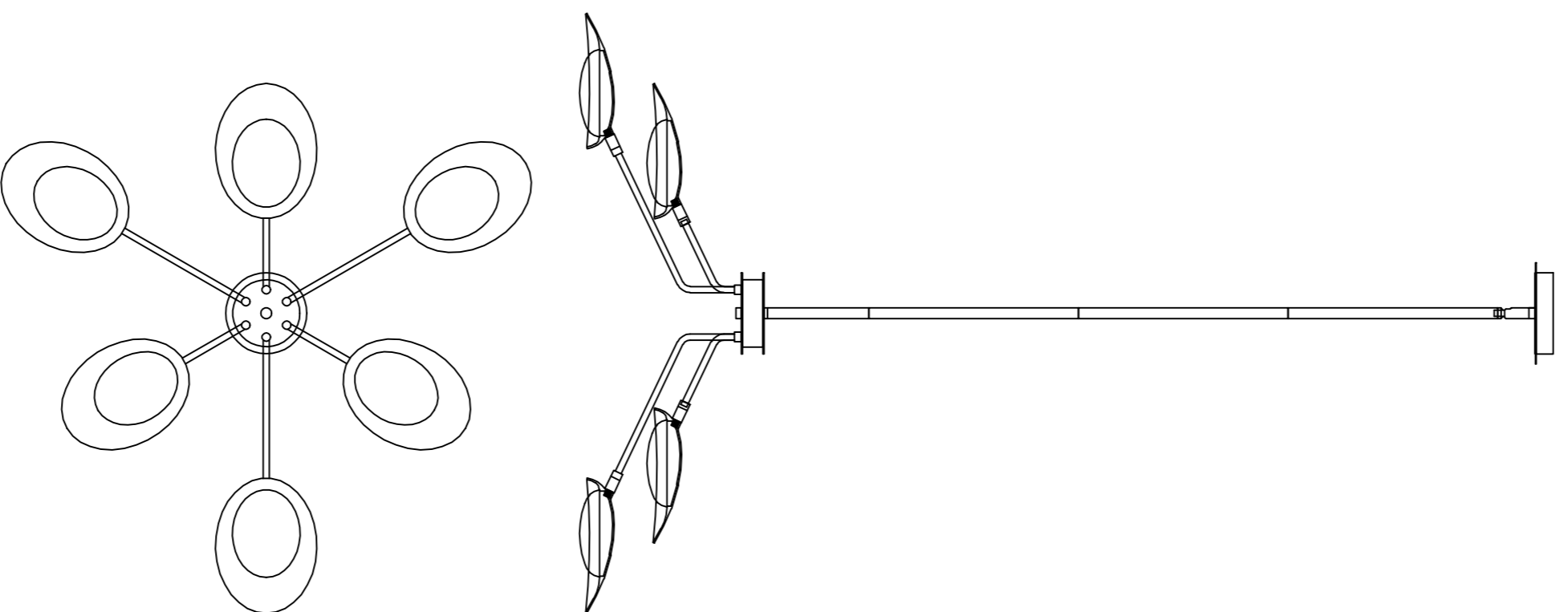


PRODUCT NAME: Scan
ITEM NUMBER: 21696BKSSBR

Please consult your electrician for hanging fixture and wiring.



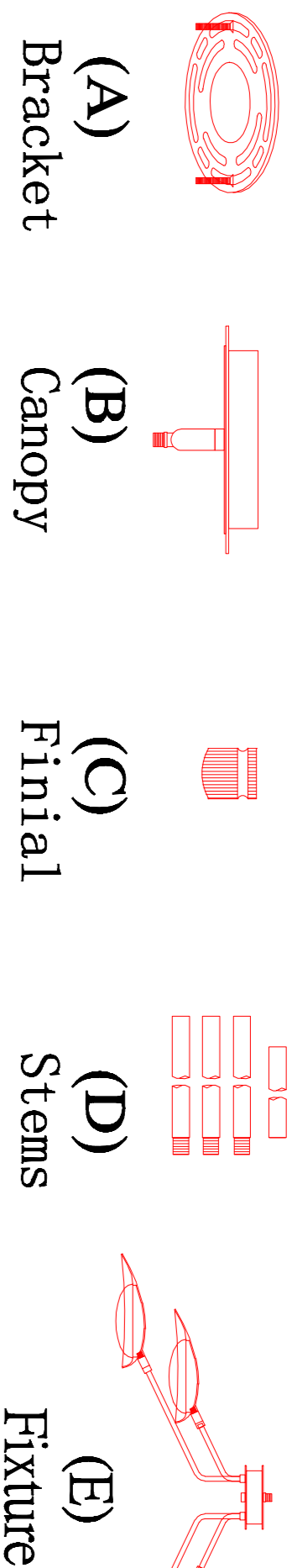
This fixture is designed to dim with an Electronic Low Voltage dimmer. Dimming levels will vary by dimmer. Below is a List of Recommended Dimmers:

- Lutron DVELV-330P
- Lutron MAELV-600M
- Lutron SAELV-153P
- Leviton IPL06-10Z
- Leviton 6674-POW
- Legrand Tru-Universal ADTP703TUW4

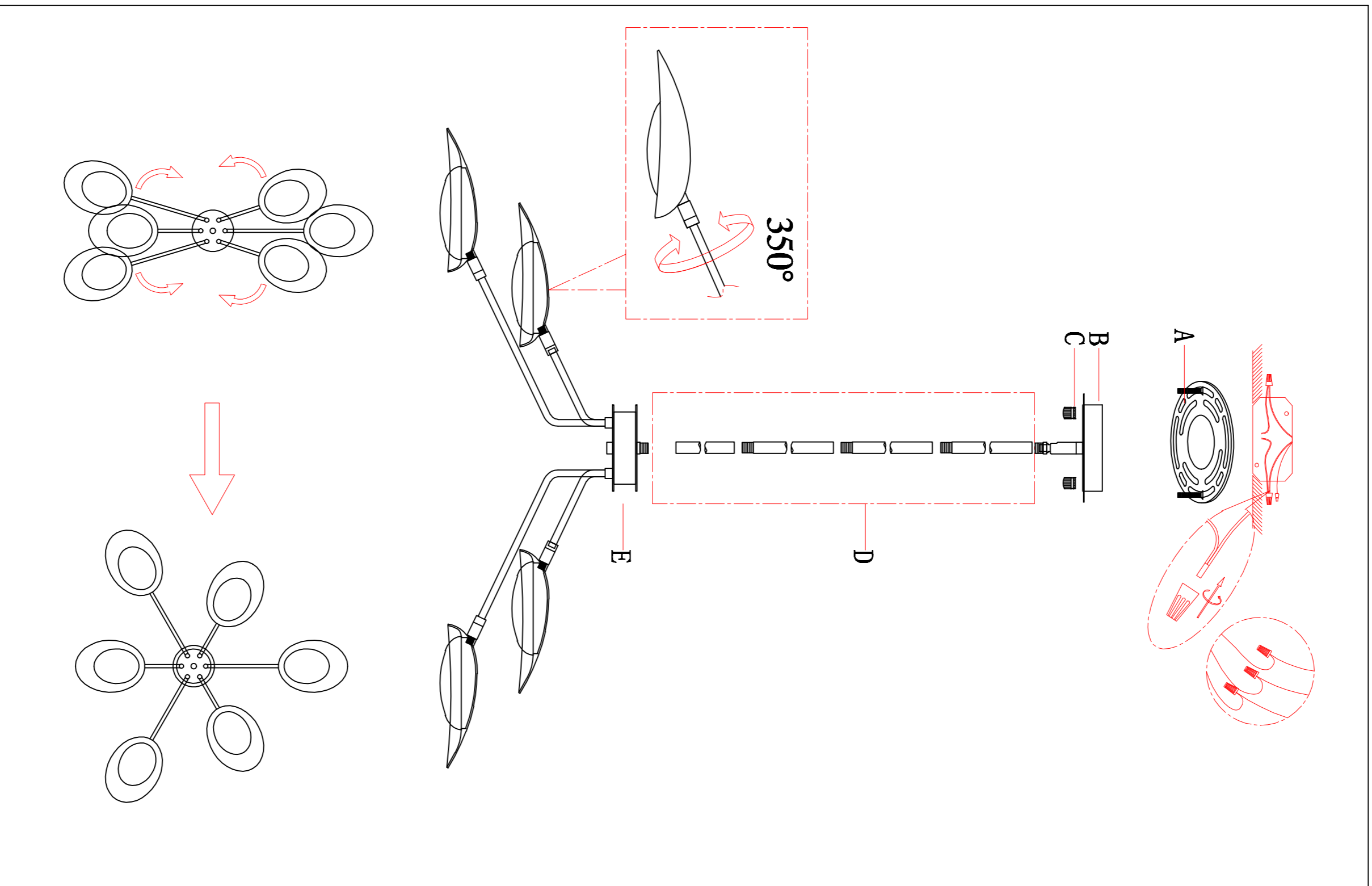
Due to inrush current wattage should not exceed 150 watts of product for a 600 watt dimmer.

Bulbs (Included): 6*6.5Watt AC LED

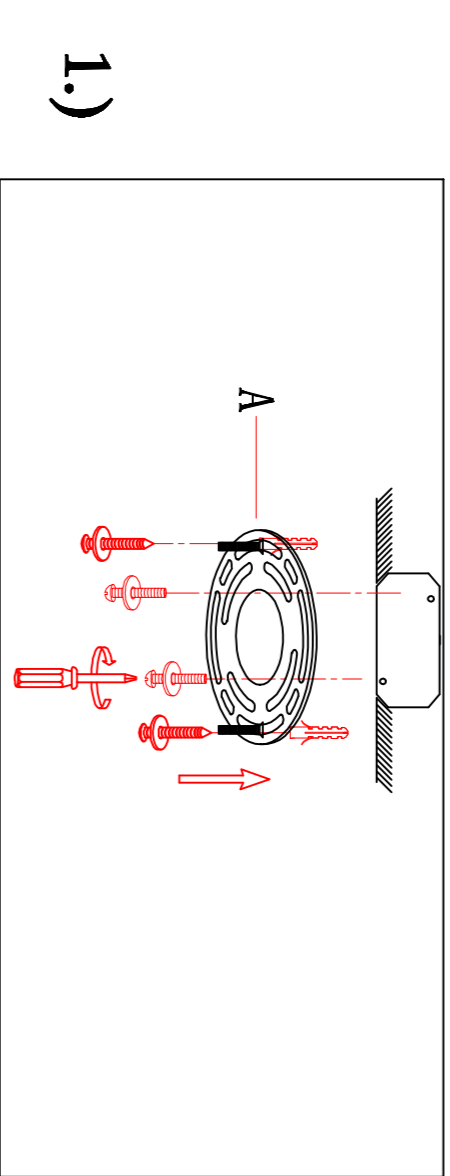
IMPORTANT: Turn off the power at the main fuse or circuit breaker box before starting installation



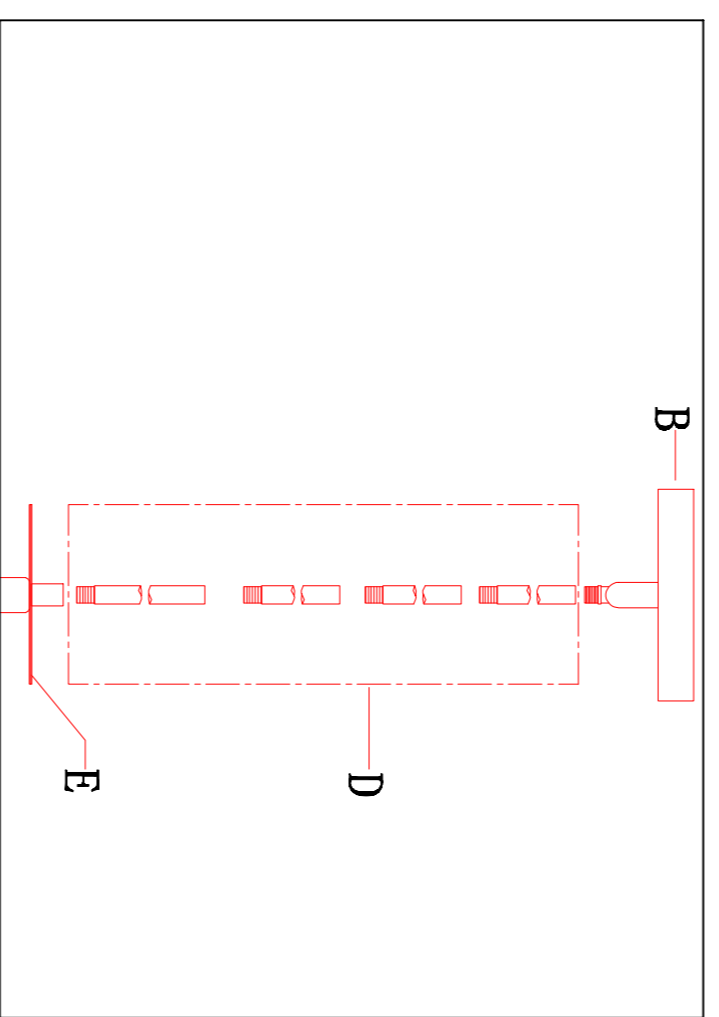
Locate all hardware & components before discarding packaging



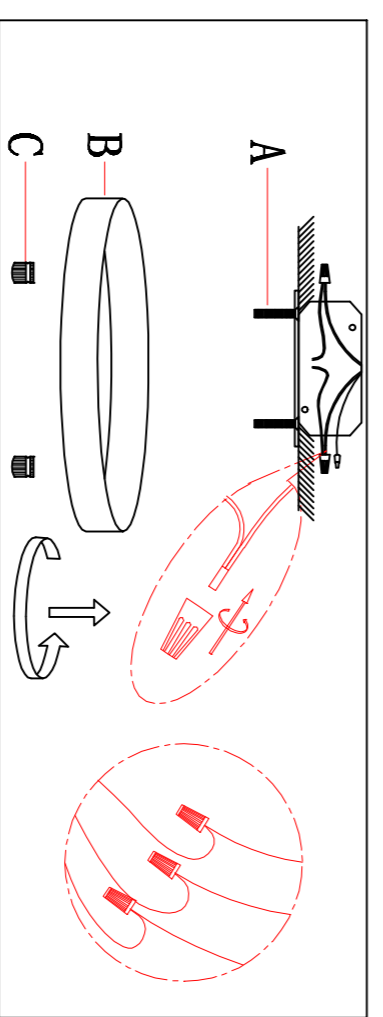
由 Autodesk 教育版产品制作



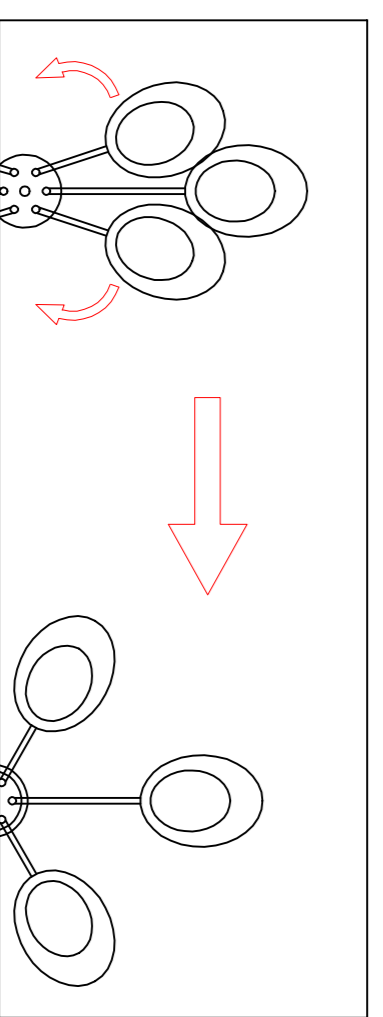
1.) Step 1: Turn breaker off for circuit on outlet where fixture is to be installed. Remove mounting bracket(A) from the fixture, and install to electrical box.



2.) Step 2: Install combination of stems(D) with canopy(B) & fixture (E)to achieve desired mounting height.



3.) Step 3: Wire fixture wires on outlet box, green wire is for ground. Secure the finial(C) onto the mounting bracket(A), until the canopy (B) is flushing with ceiling.



4.) Step 4: Adjust the arms with Shade to the correct position.

Cleaning & Care:

Clean with soft cloth and a mild detergent. Do not use abrasive cleaner.