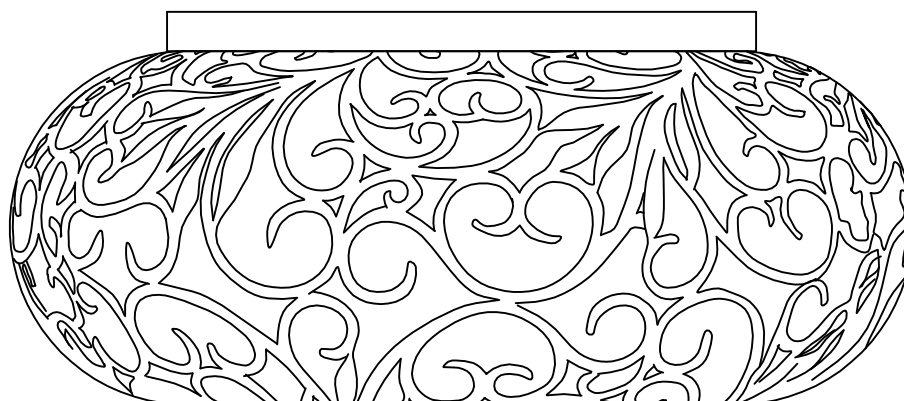




**PRODUCT NAME:** Arabesque  
**ITEM NUMBER:** 24150

**Please consult your electrician for Hang fixture and wiring.**



**Warnings:**

G4 and G9 Xenon Bulbs

Caution: Xenon bulbs get very hot and may burn you. Always make sure bulbs are off for a minimum of 10 minutes before handling. Fixture may be dimmed using an electronic low voltage dimmer.

**Bulb(included) :40W G9 Xenon Clear**

**PRODUCTS ARE NOT INENDED  
FOR COMMERCIAL USE.**

**MADE IN CHINA  
Page 1 of (3)**

**IMPORTANT:** Turn off power at the main fuse or circuit breaker box before starting installation



(A) Bracket



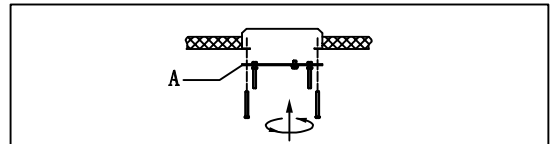
(B) Ball nut



(C) Body

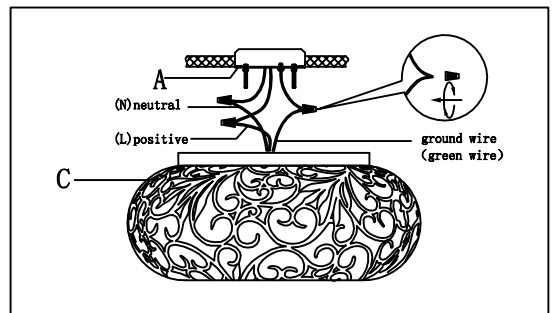
### Locate all hardware & components before discarding packaging

1.)



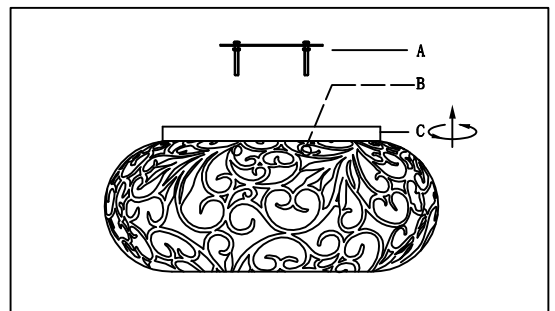
**Step. 1:** Remove mounting bracket(A) from fixture and install to electrical box.

2.)

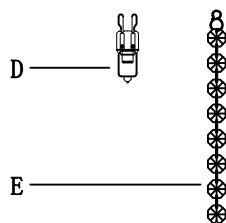
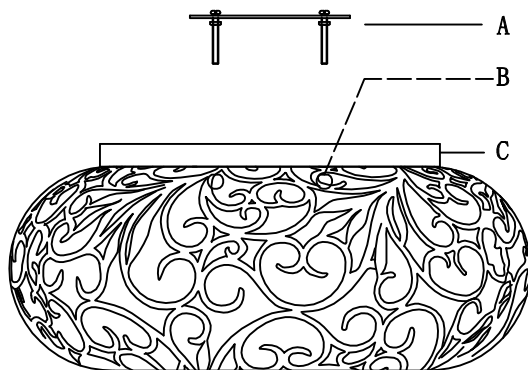


**Step. 2:** Wire fixture to wires in outlet box. Copper/Green wire is for Ground.

3.)



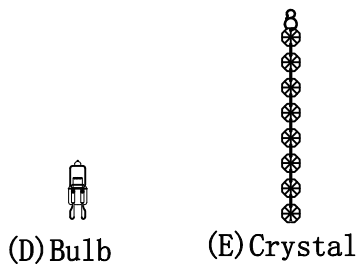
**Step. 3:** Install fixture to bracket(A) and tighten ball nuts (B) on the backplate to secure.



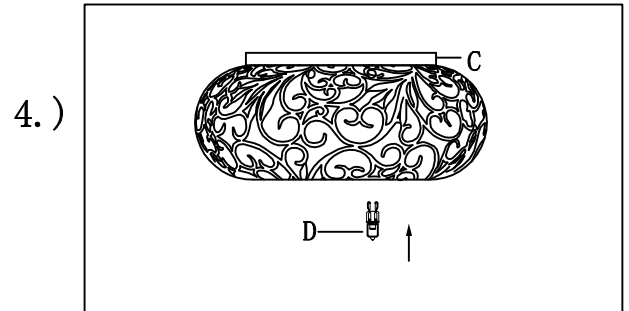
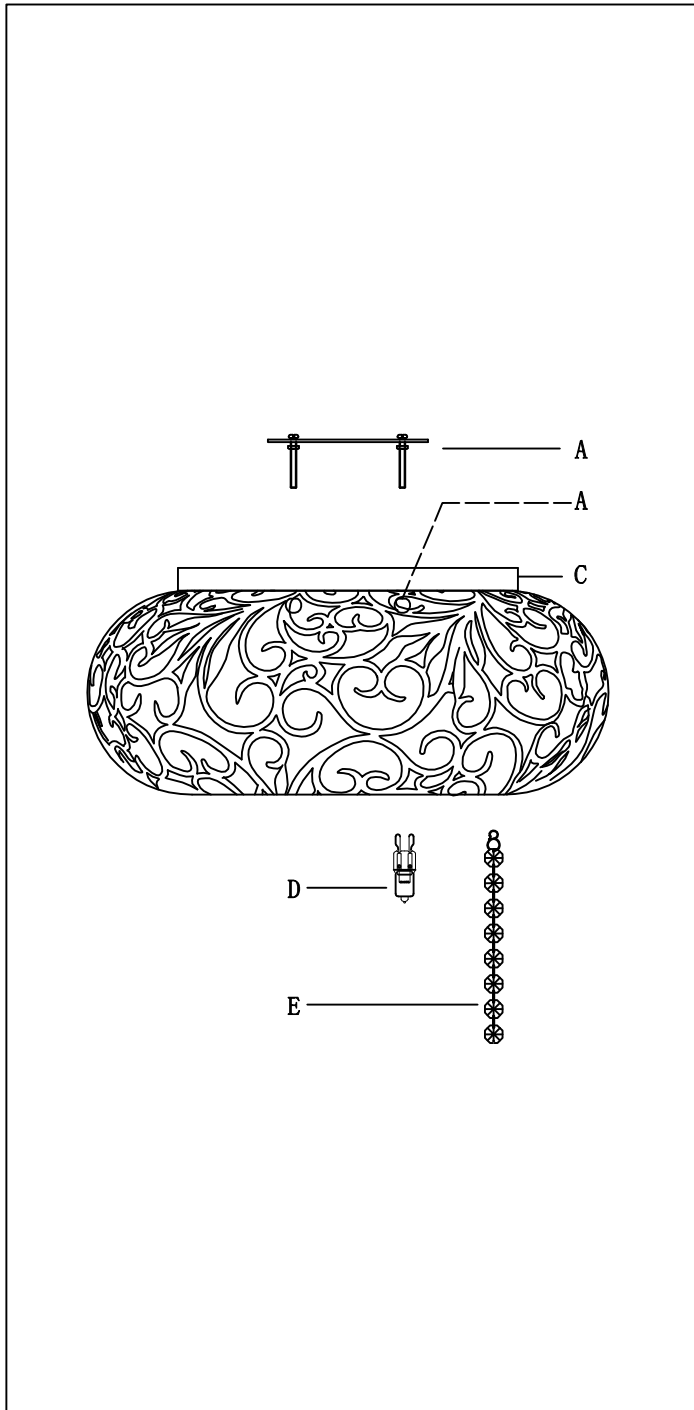
### Cleaning & Care:

Clean with soft cloth and a mild detergent.  
Do not use abrasive cleaner.

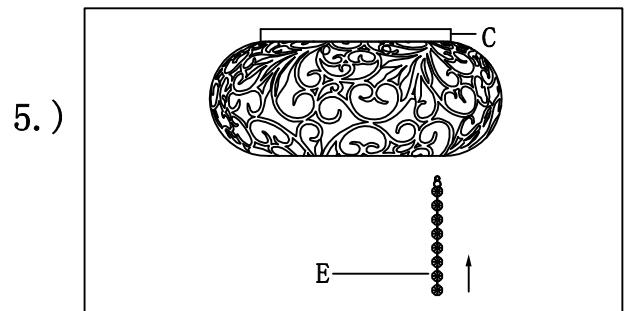
**IMPORTANT:** Turn off power at the main fuse or circuit breaker box before starting installation



**Locate all hardware & components before discarding packaging**



**Step. 4:** Install the bulb



**Step. 5:** Hang the crystal(E)  
on lamp body(C)

**Cleaning & Care:**  
Clean with soft cloth and a mild detergent.  
Do not use abrasive cleaner.