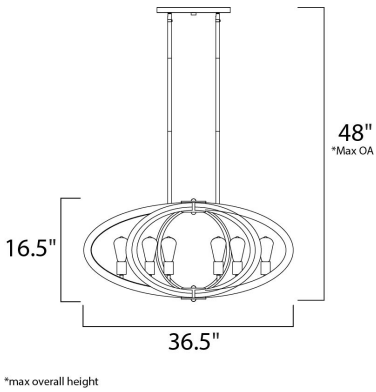




**PRODUCT DESCRIPTION**

Rings of Ash wood are distressed and then finished in Antique Pecan for that old world feel. Metal accents finished in Anthracite provide a forged iron appearance that complements this rustic design.



**MEASUREMENTS**

- DIMENSION : 36.5" L x 22.25" W x 16.75" H
- MAX OAH : 48" OAH
- CANOPY : 4.57" W x 0.83" H x 12.01" L
- HANGING WEIGHT : 20.9 lb

**LAMPING**

- INPUT VOLTAGE : 120V
- LUMENS : 0 Rated
- BULB : 6 x 60W Incandescent E26 Medium , 360W Total
- BULB INCLUDED : (Not Included)
- DIMMABLE : Yes

**FINISHES OPTION**

-  Anthracite

**MATERIAL**

Wood + Steel

**RATINGS**

cULus  
Dry Location



**ADDITIONAL**

ADJUSTABLE  
SLOPE: 120  
OPERATING TEMPERATURE:  
-20°C (-4°F), 40°C (104°F)

Always consult a qualified electrician before installing any lighting product.



**WESTERN DISTRIBUTION CENTER (HEADQUARTER)**  
253 NORTH VINELAND AVE | CITY OF INDUSTRY, CA 91746  
**EASTERN DISTRIBUTION CENTER**  
4200 SHIRLEY DR. | ATLANTA, GA 30336  
P. 626.956.4200 | F. 626.956.4225 | maximlighting.com