

61004

- Includes One 8" Downrod
- Includes Remote Control
- Damp Location
- Title 20
- Color Tunable
- Wifi Enabled



Job Name : \_\_\_\_\_  
 Job Type : \_\_\_\_\_  
 Quantity : \_\_\_\_\_  
 Comments : \_\_\_\_\_



ACCESSORIES (Sold Separately)



FCT6000WT Wall Control

**PRODUCT DESCRIPTION**

Rings of Ash wood are distressed and then finished In Antique Pecan for that old world feel. Wi-Fi enabled function allows you to control the fan speed or light intensity from your favorite device.

- Always consult a qualified electrician before installing any lighting product
- Installation Requirements:  
 Ceiling fan attaches to electrical junction box securely anchored and capable of withstanding at least 35 lbs

**MEASUREMENTS**

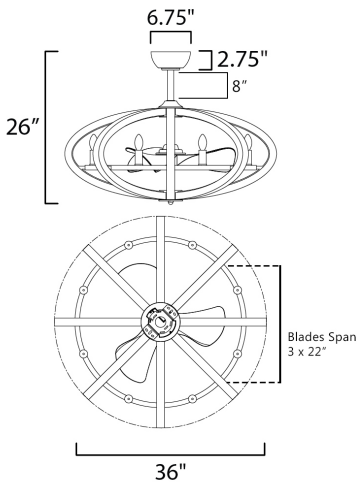
DIMENSION : 36" D x 26" H  
 MAX OAH : 26" OAH  
 CANOPY : 6.75" W x 2.75" H x 6.75" L  
 HANGING WEIGHT : 32.41 lb

**LAMPING**

INPUT VOLTAGE : 120V  
 LUMENS : 2,650 Rated (2,380 Del.)  
 BULB : 8 x 4W E12 LED , 32W Total  
 DIMMABLE : By Control Provided  
 CRI : 80 CRI  
 COLOR\_TEMP : 3000K

**ENERGY INFORMATION AT HIGH SPEED**

AIRFLOW : 2440 CFM  
 ELECTRICITY USE : 20W  
 AIRFLOW EFFICIENCY : 122 CFM / W



**FINISHES OPTION**

Antique Pecan / Anthracite

**MATERIAL**

Wood+Steel+ABS

**RATINGS**

cETLus  
 Damp Location

**INCLUDES**

- Wall Mountable Remote Control
- 1 x 8" Downrod

**DOWNROD OPTIONS**

- 18" (FRD0118AR)
- 24" (FRD0124AR)
- 30" (FRD0130AR)
- 36" (FRD0136AR)



**ADDITIONAL**

RATED LIFE: 20,000 Hours  
 OPERATING TEMPERATURE: -20° C (-4°F), 40°C (104°F)  
 LIGHTING DIRECTION: Up



**WESTERN DISTRIBUTION CENTER (HEADQUARTER)**  
 253 NORTH VINELAND AVE | CITY OF INDUSTRY, CA 91746  
**EASTERN DISTRIBUTION CENTER**  
 4200 SHIRLEY DR. | ATLANTA, GA 30336  
 P. 626.956.4200 | F. 626.956.4225 | maximlighting.com