

# INSTALLATION INSTRUCTIONS

Item#4045-84 (New. 07/05/2021)

## READ AND SAVE THESE INSTRUCTIONS

**WARNING! SHUT POWER OFF AT FUSE OR CIRCUIT BREAKER.**

**AVERTISSEMENT! COUPER LE COURANT AU NIVEAU DES FUSIBLES OU DU DISJONCTEUR.**

### MOUNTING THE FIXTURE (Fig.1)

1. Shut off power at the fuse box or circuit breaker and remove the old fixture included the mounting hardware.
2. Carefully unpack your new fixture and lay out all the parts on a clean area. Take care not to lose any small parts necessary for installation.
3. Adjust position of each lamp arm. (As shown in Fig.2)
4. Place mounting plate (B) over outlet box (A) (Not included) and align mounting slots with mounting holes of outlet box (A). Feed mounting screws (C) through mounting slots of mounting plate (B) and mounting holes of the outlet box (A). Make sure the side of the mounting plate (B) marked "GND" must face out.
5. Determine desired hanging height and thread rods (I1 and I2) to the all thread of the fixture body. Screw loop (H1) onto rod (I1). Pass the wires carefully through each rod as you assemble.
6. Attach quick link (G) to loop (H1) and loop (H2) on canopy (E). Carefully feed wire through loop (H1), quick link (G), and loop (H2).

### CONNECTING THE WIRES (Fig.3)

7. Connect the electrical wires as shown in Fig.3, making sure that all wire connectors (D) are secured. If your outlet box has a ground wire (green or bare copper), connect the fixture's ground wire to it. Otherwise, connect the fixture's ground wire directly to the mounting plate (B) using the green screw provided.
8. Tuck wire connections neatly inside the outlet box (A).

### FINISHING THE INSTALLATION (Fig.1)

9. Thread fixture screws (F) through canopy (E) and into mounting plate (B) and secure.
10. Place glass shade (K) over socket cups (J). Secure glass shade (K) using metal rings (L).  
Install (4) four medium base (E26) bulbs (M) up to 60 watts each or CFL or LED equivalent (not included) in accordance with the fixture specification—**DO NOT EXCEED THE MAXIMUM WATTAGE RATING! (NE PAS DEPASSER LA PUISSANCE NOMINALE MAXIMALE!)**

Your installation is now complete. Return power and test the fixture.

**Note: Illustration (Fig.1) on this manual is for installation purposes only. It may or may not be identical to the fixture purchased.**

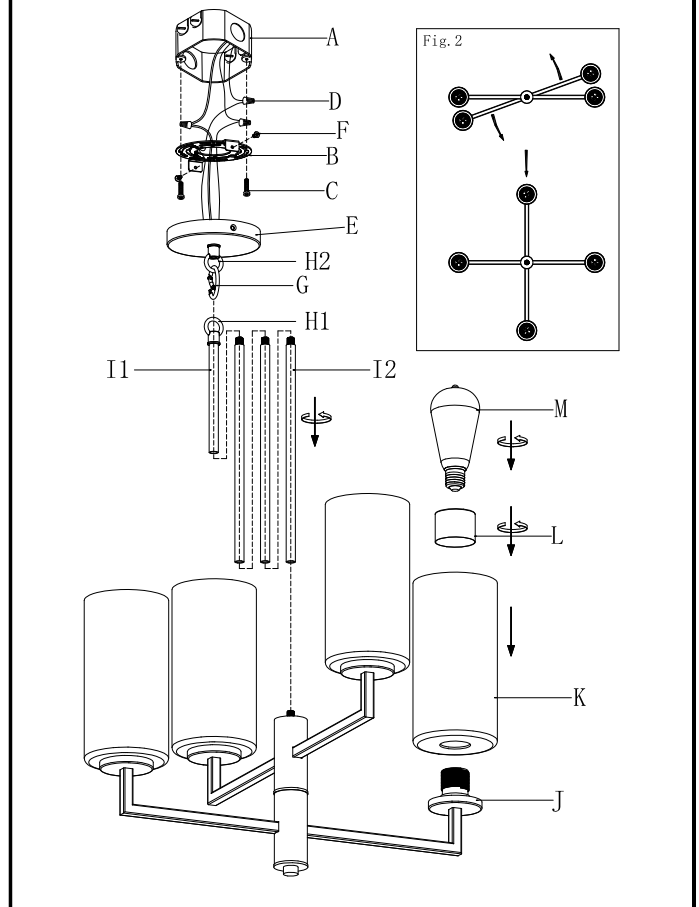
**Fig.1**

Set# A-016

-Mounting Plate

-Ground Screw

-Mounting Screw\*2



**Fig.3**

