

INSTALLATION INSTRUCTIONS

Item#718-XXX-L 719-XXX-L (New. 2021-08-16)

READ AND SAVE THESE INSTRUCTIONS

WARNING! SHUT POWER OFF AT FUSE OR CIRCUIT BREAKER.

AVERTISSEMENT! COUPER LE COURANT AU NIVEAU DES FUSIBLES OU DU DISJONCTEUR. Page: 1/1

1: Shut off power at the fuse box or circuit breaker box and remove the old fixture including the mounting hardware.

2: Carefully unpack your new fixture and lay out all the parts in a clean area. Take care not to misplace any small parts necessary for installation.

INSTALLATION&ASSEMBLY (Fig.1)

3: Loosen acrylic shade (D) and separate fixture body (B) from acrylic shade (D).

4: Thread mounting screws (C) into the outlet box (not included). The length of mounting screws (C) may be adjusted if necessary.

CONNECTION THE WIRES (Fig.2)

5: Pull the power supply wires out from the outlet box. Connect the black supply wire to the black fixture wire using wire nuts (A). Connect the white supply wire to the white fixture wire using wire nuts (A). Connect the fixture ground wire and the supply ground wire together using wire nuts (A). Wrap all wire connections with electrical tape for a more secure connection.

6: Carefully tuck all the wires and wire connections into the outlet box.

COMPLETING THE INSTALLATION (Fig.1)

7: Place fixture body (B) over the outlet box and slide mounting screws (C) through the keyhole slots. Rotate fixture body (B) so mounting screws (C) slide into the narrow ends of the keyhole slots. Then tighten mounting screws (C) to secure fixture body (B) onto the ceiling.

8: Align slots on acrylic shade (D) to studs on fixture body (B) and twist acrylic shade (D) until snug. Don't too tighten.

Your installation is now complete. Return power and test the fixture.

Replacing LED module (Fig.3)

The LED module can be replaced by a qualified electrician without cutting the wires and without damaging the decorative element to which the fixture is attached. See installation steps for more details (Fig.3)

a: Shut off the power.

b: Remove the acrylic shade (D).

c: Remove cover (G) by loosening screws (E), then loosen clip (M) on fixture body (B) by unscrewing screws (L). Carefully remove led module (H) from fixture body (B).

d: Reverse steps a-c for installing the new LED module.

Care and maintenance

Use a clean, soft cloth to wipe the surface of the fixture.

DO NOT use any cleaners with chemicals, solvents or harsh abrasives

Dimmable with ELV and/or LED compatible wall dimmer switches.

Fig.1 Mounting screw*2

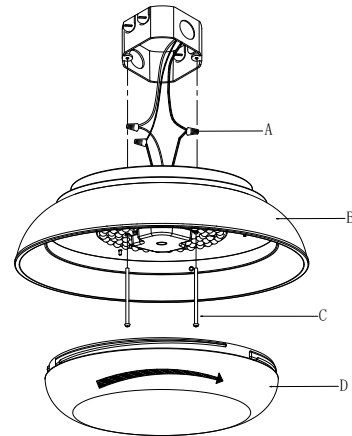


Fig.2

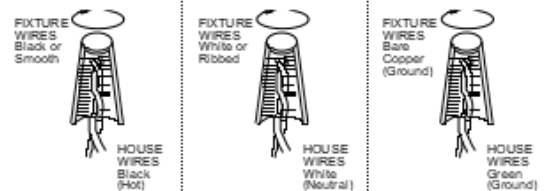
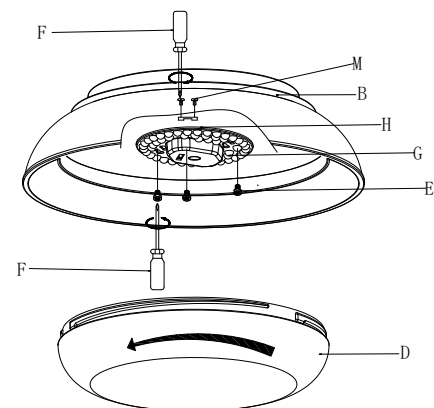


Fig.3



IMPORTANT: FIXTURE SHOULD BE INSTALLED BY A QUALIFIED ELECTRICIAN TO ENSURE PROPER WIRING AND INSTALLATION.