

INSTALLATION AND SAFETY INSTRUCTIONS FOR ITEM NO:213102

FOR YOUR SAFETY

WARNING:BE SURE THE ELECTRICITY TO THE WIRES YOU ARE WORKING ON IS SHUT OFF:ETHER THE FUSE IS REMOVED OR THE CIRCUIT BREAKER IS SHUT OFF

GENERAL

You don't need special tools to install this fixture
Be sure to follow the steps in the order given. Under on circumstances should a fixture be hung on house electrical wires nor should a swag type heating system.Read instructions carefully
If you are unclear as to how to proceed, consult a qualified electrician

NOTE:Proper wiring is essential for the safe operation of this fixture

FIXTURE ASSEMBLY

Carefully removed the fixture from the carton and check that all parts are included as shown in figure. Be careful to misplace any of the screws or parts, which are needed to install this fixture

INSTALLATION

STEP 1:Insert the nipple (H) into the Canopy(E).

Attach round mounting plate(C) with two box screws to outlet box (A).

STEP 2:Pull out the source wires from the outlet box(A)

Make wire connections using wire nuts(B)as follow

-- Ribbed wire (W/O marking) or white wire from light to White wire from power source.

--Smooth wire (W marking) or black wire from light to Black wire from power source.

--Attach and wrap the fixture ground wire to mounting plate(C) with ground screw (N) . and then connect it to the house ground wire with the wire connector (B).

Carefully tuck the wires back into the outlet box.

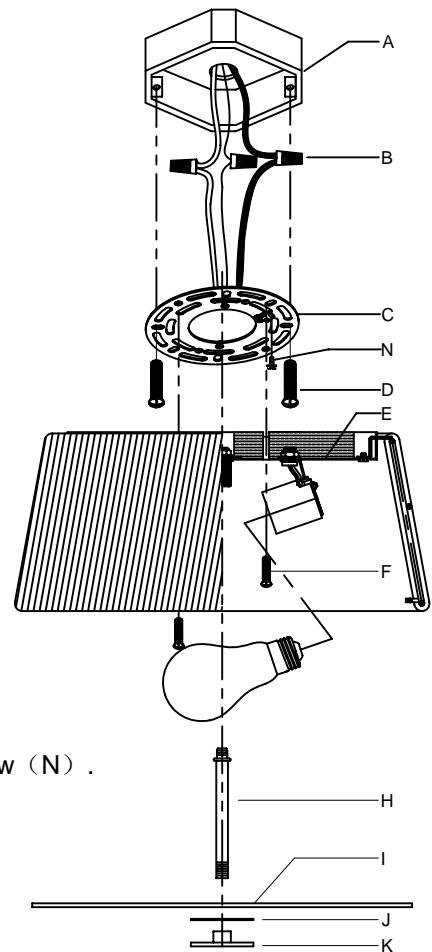
STEP 3:Assemble the canopy with mounting screws(F) to mounting plate(C)

STEP 4: Install bulb (bulb not included)

STEP 5: Raise the glass diffuser (I) to the nipple (H) , then secure it with rubber washer (J) and cap finial (K).

CLEANING

To clean, Wipe fixture with a soft and dry cloth.
Do not use abrasive materials such as scouring pads or powders, steel wool or abrasive paper.



See relamping label at socket area or packaging for maximum allowed wattage



warning: Need to check if the glass is perfect before assembling