

15101

ONE LIGHT SCONCE

FINISHES

MB - Matte Black
 PN - Polished Nickel
 VB - Vintage Brass

DIMENSIONS

Width 4.75"
 Height 15.75"
 Extension 7.25"
 Backplate Width 4.33"
 Backplate Height 8.66"
 Backplate Depth 0.78"
 Weight 4.54 lbs.

MATERIAL

Steel

Glass

Glass Clear Seeded

LAMPING

Bulbs 1-Candle
 Bulb Base Candelabra (E12)
 Watts per Bulb 60W
 Voltage 120V
 Total Wattage 60W
 Bulbs Included No

CERTIFICATION

ETL Listed Damp

ITEM NUMBER

SKU's 15101 MB
 15101 PN
 15101 VB

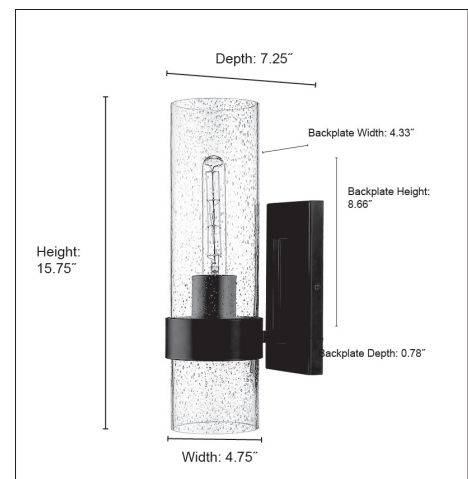
15101 MB



15101 PN



15101 VB



Millennium Lighting
 105 Declaration Drive
 McDonough, GA 30253
www.millenniumlighting.com