



Features

- Manual toilet flush valve for floor-mounted or wall-hung top spud bowls
- Chrome-plated housing
- Fits right or left hand supply
- Durable diaphragm with filtered fixed by-pass
- Chloramine resistant diaphragm
- ADA compliant metal non-hold-open handle with sealed handle package
- Vandal resistant torqued stop cap
- High back pressure vacuum break flush connection
- Spud coupling and flange for 1-1/2" top spud
- Chrome-plated copper casting resistant to dezincification
- 1" I.P.S. anglestop



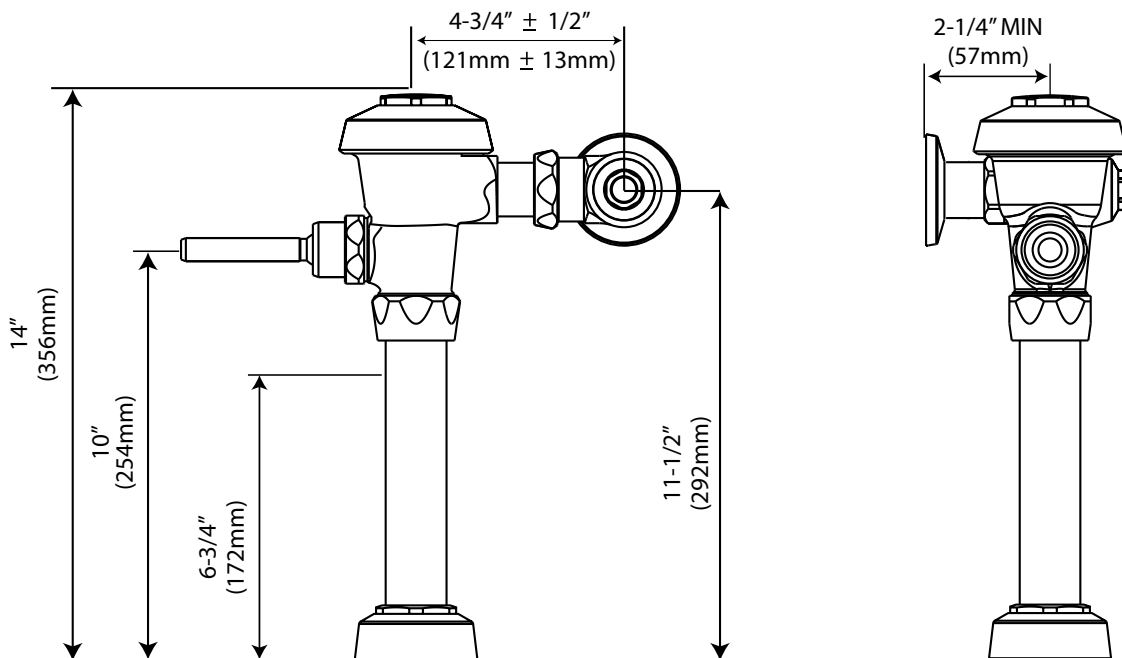
Components

Model #	Description	Codes/Standards
FM-T2	Flushometer Valve for 1.28 Gpf toilets	 
FM-T6	Flushometer Valve for 1.6 Gpf toilets	

Specifications

Specification	Description	Specification	Description
Material	Brass Casting	Backflow Prevention	vacuum breaker/check valve
Plating	Chrome per ASTM B456	Water Type	potable cold water
Water Delivered	1.28 gpf / 4.8 lpf or 1.6 gpf / 6.0 lpf	Shipping Weight	7.15 lbs.
Water Pressure Range	20 to 125 psi	Warranty	Limited Three Years

Technical Information



See our complete line of acrylic and vitreous china bathroom fixtures, plastic tank trim and plumbing products.

These dimensions are nominal and are subject to change without prior notice.

Specifications meet ASSE-1037 standards.