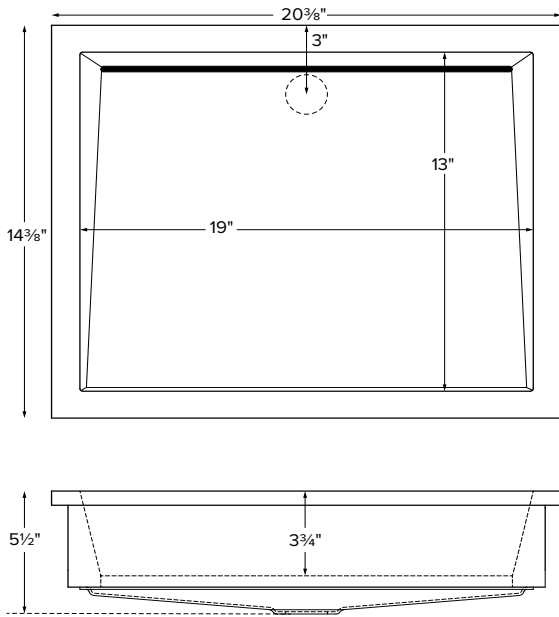


Incline 2



The Incline is an undermount only sink, with a slotted drain at the rear of the bowl.

MODEL 770
20.375" x 14.375" x 5.5" Bowl: 19" x 13"
UNDERMOUNT ONLY
<b>SculptureStone®</b>
25 lbs / 11 kg



Due to its handcrafted nature, always measure sink on-site to ensure cut-out accuracy when undermounting.

Sink Options and Pricing
<b>Part #: MTCS770 \$1,400</b>
<b>Standard Color</b> White, matte finish <b>Biscuit Color Upgrade (SSBISNK) \$120</b> matte finish Additional material colors available for projects only. Please call MTI.
<b>Hand-Polished Deep Gloss Finish Upcharge (SSGLOSSNK3) \$715</b> For White or Biscuit
<b>Quick Ship (QSPRI3) \$255</b> reduces lead time Please call for availability.
Options and Accessories
<b>Drain Kit</b> included with sink with ABS drain trough and chrome finish brass tailpiece.



Drain assembly included with sink.

**ORDERING AND INSTALLATION**

- Slotted drain with ABS trough and chrome finish brass tailpiece
- No overflow available. Check local codes.
- Undermount only. Measure on site to achieve the proper cut-out size.
- Lip detail will accommodate commonly used undermount hardware. Undermount hardware is not included.
- One-piece construction using Engineered SculptureStone® (ESS) material.
- Non-porous, stain-, mold- and mildew-resistant SculptureStone®
- Material is approximately 70% organic
- Five-Year Limited Residential Warranty



Also available, Incline Counter-Sink 2, featuring custom-size countertop with integrated bowl. Offered in single and double bowl configurations..

• Before discarding packaging, check for accessories that may be inside.  
• All product measurements are ±1/2".  
• Specifications and configurations are subject to change without notice.  
• Measurements herein supersede all others published prior to publication date below.

