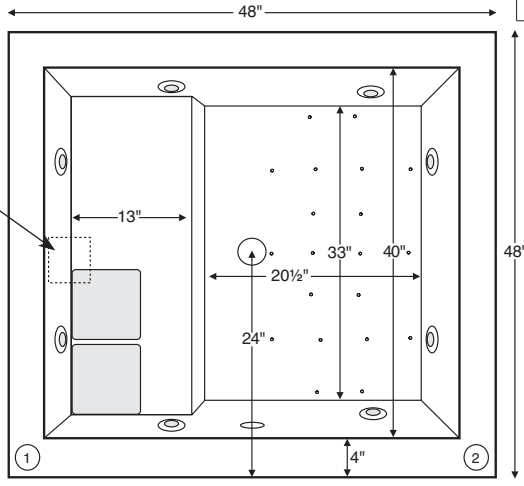


Kalia 2

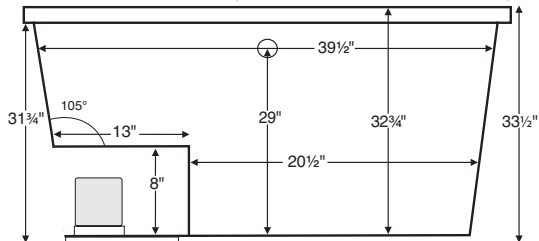


MODEL 59
48" x 48" x 33.5"
DROP-IN or UNDERMOUNT <i>Not recommended as a tub/shower combination</i> 158 gal to overflow
Acrylic CXL®
134 lbs / 61 kg SOAKER 159 lbs / 72 kg PLUMBED
Filling this tub to the maximum may require an above average size or dedicated water heater.

Compliance Label
Model MTXXXX
Made in USA
Complies with
ANSI Z124.1-1995
CSA Certified C/US



Numbered areas on tub deck represent possible locations to install cleaning systems, faucets and other fixtures. Shown with Air Massage and Ultra Whirlpool Package.



IMPORTANT:
Air baths and tubs with a pre-leveled foam base add 2-3" overall tub height.

IMPORTANT ORDERING & INSTALLATION INFORMATION

- Before ordering or installing, please consider future access to equipment.
- Add proper bedding compound to fully level and support bottom of tub.
- When equipped with an air bath package, pre-leveled foam base or frame system, overall tub height is increased by approx. 2-3" and is designed to install on a flat, level subfloor.
- Radiance placed on airbath floor will affect placement of air jets.
- System components may extend beyond the perimeter of deck.
- Please measure tub **on-site** before building tub decking.
- Advise MTI when planning to use a glass enclosure. Relocation of controls may be necessary.
- Suction and control locations may vary.
- All tubs are compliant with ASTM C 1028-07 coefficient of friction. DoloMatte meets ANSI A137.1/ A326.3 coefficient of friction and AS HB198:2014 slip tests.

ELECTRICAL COMPONENTS & SPECIFICATIONS

Hydrotherapy Package	Components Included	GFCI / 110V
Standard Whirlpool	2-bhp pump	1-15 amp
Microbubbles	Microbubbles pump	1-15 amp
Ultra Whirlpool	3-bhp pump, inline heater, ozone	2-20 amp
Air Massage	heated blower	1-15 amp
Air Massage Elite	heated blower, chromatherapy	1-15 amp

Electrical requirements may change with the addition of optional therapy components. See specific option details or installation information. CSA Certified C/US; B45.5/IAPMO ANSI Z124.1 and ANSI 112.19.7

Hydrotherapy Package	Components Included	GFCI / 110V
Microbubbles with Air	Microbubbles pump, heated blower	1-20 amp
Microbubbles with Air Elite	Microbubbles pump, heated blower, chromatherapy	2-15 amp
Air with Whirlpool	2-bhp pump, heated blower	2-15 amp
Air with Ultra Whirlpool	3-bhp pump, inline heater, heated blower, ozone	2-20 amp
Air Elite with Whirlpool	2-bhp pump, heated blower, chromatherapy	2-15 amp
Air Elite with Ultra Whirlpool	3-bhp pump, inline heater, heated blower, chromatherapy, ozone	2-20 amp

See the Installation & Operation Manual for more details. MTI's Customer Service Monday-Friday 8am-6pm EST 800-783-8827 or service@mtibaths.com

- Before discarding tub crate, check for accessories that may be packaged inside.
- All product measurements are ±1/2".
- Specifications and configurations are subject to change without notice.
- Measurements herein supersede all others published prior to publication date below.



- Aromatherapy is eliminated for undermount applications
- Air Baths, Pre-Leveled Foam Base or Frame Systems increase overall height by 2-3".

Kalia 2
 MODEL 59
 48" x 48" x 33.5"

Hydrotherapy Packages	Package Contents	Part #	MSRP
Soaker	Soaking bath - no jets, textured bottom	S59-DI	\$3,540
		S59-UM	
Microbubbles	1 microbubbles infusion port and pump, textured bottom	M59-DI	\$6,530
		M59-UM	
Air Massage	20 air jets, heated air blower, Aromatherapy, pre-leveled foam base, textured bottom	AST59-DI	\$6,825
		AST59-UM	
Air Massage Elite	30 air jets, heated air blower, Aromatherapy, Chromatherapy LED lighting, Spa Mode, pre-leveled foam base, textured bottom	AE59-DI	\$8,535
		AE59-UM	
Microbubbles with Air Massage	1 microbubbles infusion port and pump, 20 air jets, heated air blower, Aromatherapy, pre-leveled foam base, textured bottom	ASTM59-DI	\$9,275
		ASTM59-UM	
Microbubbles with Air Massage Elite	1 microbubbles infusion port and pump, 30 air jets, heated air blower, Aromatherapy, Chromatherapy LED lighting, Spa Mode, pre-leveled foam base, textured bottom	AEM59-DI	\$10,895
		AEM59-UM	
Standard Whirlpool	6 point-massage jets, 2-bhp pump, textured bottom	P59-DI	\$6,110
		P59-UM	
Ultra Whirlpool	8 point-massage jets, 3-bhp pump, inline heater, Ozone, textured bottom	P59U-DI	\$8,520
		P59U-UM	
Air Massage with Standard Whirlpool	6 point-massage jets, 2-bhp pump, 20 air jets, heated air blower, Aromatherapy, pre-leveled foam base, textured bottom	AW59-DI	\$9,395
		AW59-UM	
Air Massage with Ultra Whirlpool	8 point-massage jets, 3-bhp pump, inline heater, 20 air jets, heated air blower, Aromatherapy, Ozone, pre-leveled foam base, textured bottom	AU59-DI	\$11,805
		AU59-UM	
Air Massage Elite with Standard Whirlpool	6 point-massage jets, 2-bhp pump, 30 air jets, heated air blower, Aromatherapy, Chromatherapy LED lighting, Spa Mode, pre-leveled foam base, textured bottom	AEAP59-DI	\$11,105
		AEAP59-UM	
Air Massage Elite with Ultra Whirlpool	8 point-massage jets, 3-bhp pump, inline heater, 30 air jets, heated air blower, Aromatherapy, Ozone, Chromatherapy LED lighting, Spa Mode, pre-leveled foam base, textured bottom	AEAP59U-DI	\$12,705
		AEAP59U-UM	

RECOMMENDED SENSORY THERAPIES

Chromatherapy

(LE) **\$800** underwater lighting
 2 LED lights included

Audiotherapy

(STEREOBT) **\$1,390** 2 transducers with bluetooth and amplifier
 (BTREMOTE) **\$600** bluetooth remote

(STEREOH202) **\$1,575** 4 transducers amplifier not included

Thermaltherapy

(RAD100) **\$1,595** Radiance®
 2 heated zones included
 (HTISOAK) **\$825**



For more information on options and accessories go to Acrylic Tub Options at mtibaths.com

Options <i>Must be ordered at time of purchase.</i>
Standard Colors White (CWH) only
Quick Ship reduces lead time (QSPRI) \$430 <i>Please call for availability</i>
Inline Heater maintains water temperature For Soaker or Air Baths (HTISOAK) \$825 Includes a recirculating pump <i>Cannot be combined with Microbubbles.</i>
Virtual Spout high-flow integrated tub filler (FPMJ) \$450 <i>Virtual Spout location is left of the overflow, unless otherwise specified on order.</i>
Grab Bars from \$330 <i>Selections vary. Personalization available.</i>
Accessories
Pillows from \$180
Teak Bath Mat (TKMAT3018) \$815 <i>Custom sizes also available. Contact MTI for details and pricing.</i>
Teak Tub Tray Slatted (TK-TRAY1) \$500 Solid (TK-TRAY2) \$570

Hydrotherapy Equipment & Cleaning Systems <i>Must be ordered at time of purchase.</i>
Inline Heater maintains water temperature For Whirlpools or Stream Bath (HTI) \$570 Uses existing pump <i>Cannot be combined with Microbubbles.</i>
Whirlpool Cleaning Systems Fill-Flush (FFSO) \$590 Simple Touch (FFE) \$1,020 <i>Must specify stub-out location on order. See page 1 for location options.</i>
Whirlpool Jets Pump upgrade may be advisable for optimal performance when adding jets. Point-Massage Jet Extra Point-Massage Jet (EJ) \$315 Micro-Jet from \$360 <i>Jet styles and packages vary. Personalization available.</i>
Pump Upgrade - 3-bhp (PUMP3) \$315
Jet Trim Kits For Standard Whirlpool Chrome (TRC) \$270 , Brushed Nickel (TRBN) \$725 For Ultra Whirlpool Chrome (TRCU) \$370 , Brushed Nickel (TRBNU) \$960
Ozonator (OZONE) \$515 <i>Cannot be added to soakers or airbaths without combination hydrotherapy package or HTISOAK.</i>

Installation Options *Must be ordered at time of purchase.*

Pre-Leveled Foam Base (PLFOAM) \$295 All airbaths include a pre-leveled foam base.
Pre-Leveled Frame and Foam Base (PLF) \$740

Tile Flange Factory-Installed on 3 sides - rigid ABS (TFK3) \$200 Field Install Kit - includes rigid ABS & adhesive (TFKNI) \$185 IMPORTANT: <i>Must specify flange location(s) on order of Factory-Installed Flange. Not available with optional Low-Profile Rim.</i>

Drains & Overflow Kits

Cable Driven
Drain Finishes – PVC Drain Kit
White/Bone/Biscuit (WOCDW) \$440
Chrome (W OCD) \$410
Brushed Nickel (WOCDBN) \$490
Polished Nickel (WOCDPN) \$540
Oil-Rubbed Bronze* (W OCDOR) \$550
Polished Brass (WOCDBR) \$690
Special Finishes* (WOCDSF) \$1,135
<i>MTI does not offer a brass body cable drain kit.</i>

