

HTRLT

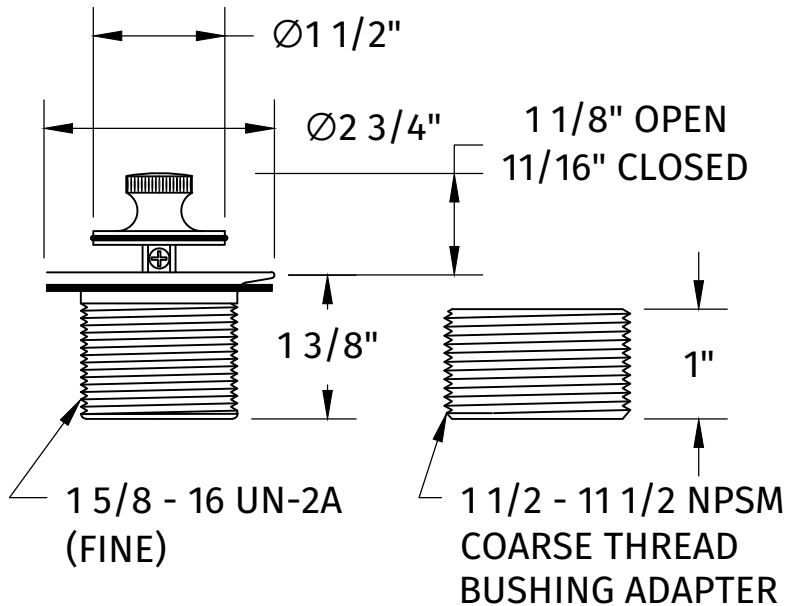
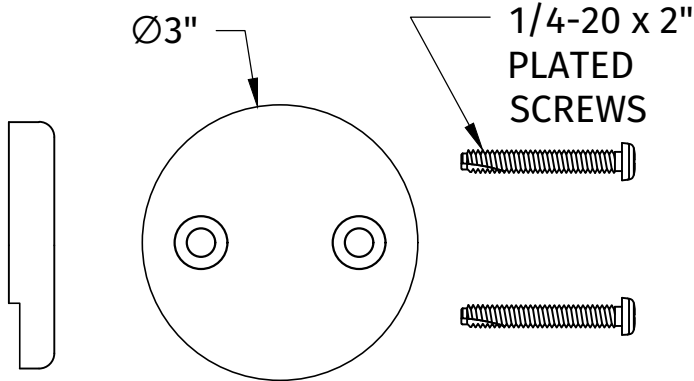
ECONOMY LIFT & TURN DRAIN TRIM KIT

SPECIFICATION SHEET



Mountain

Plumbing Products



- FOR USE WITH Ø2'' DRAIN OPENING
- WILL RETROFIT MOST MANUFACTURER'S NON-CABLE OPERATED DRAINS
- SUITABLE FOR MOST OVERFLOWS WITH TWO SCREW APPLICATION
- COMPATIBLE WITH ALL MOUNTAIN PLUMBING NON-CABLE OPERATED DRAINS
- WILL FIT A TUB UP TO 2'' THICK WHEN USING COARSE ADAPTER
- BDWBUSH2 - 2'' COARSE ADAPTER FOR UP TO 3'' THICK TUBS (SOLD SEPARATELY)
- BDWBUSH2.5 - 2 1/2'' COARSE ADAPTER FOR UP TO 3 1/2'' THICK TUBS (SOLD SEPARATELY)

WARRANTY

FOR WARRANTY INFO PLEASE VISIT WWW.MOUNTAINPLUMBING.COM/PAGE/RESOURCES/WARRANTY

FINISH CARE & MAINTENANCE

NEVER USE ANY HARSH ALKALI, ACID BASED DETERGENTS OR CLEANERS SUCH AS SOFT SCRUB®, SCRUBBING BUBBLES® OR COMET® TO CLEAN. DO NOT USE BRILLO® AND SCOTCH BRITE® PADS. THESE WILL ALL HARM THE FINISH. TO CLEAN, USE ONLY A DAMP SOFT CLOTH AND WIPE USING A SOFT CLOTH. STANDARD WINDEX® CAN ALSO BE USED SPARINGLY. IT IS NOT NECESSARY TO WIPE HARD TO REMOVE SPOTS. TO MAINTAIN THE FINISH, WIPE WITH A SOFT DRY CLOTH AFTER USE. AN OCCASIONAL COAT OF PURE CARNAUBA WAX WITHOUT CLEANERS WILL HELP PROTECT THE FINISH.

SPECIFICATIONS SUBJECT TO CHANGE WITHOUT NOTICE