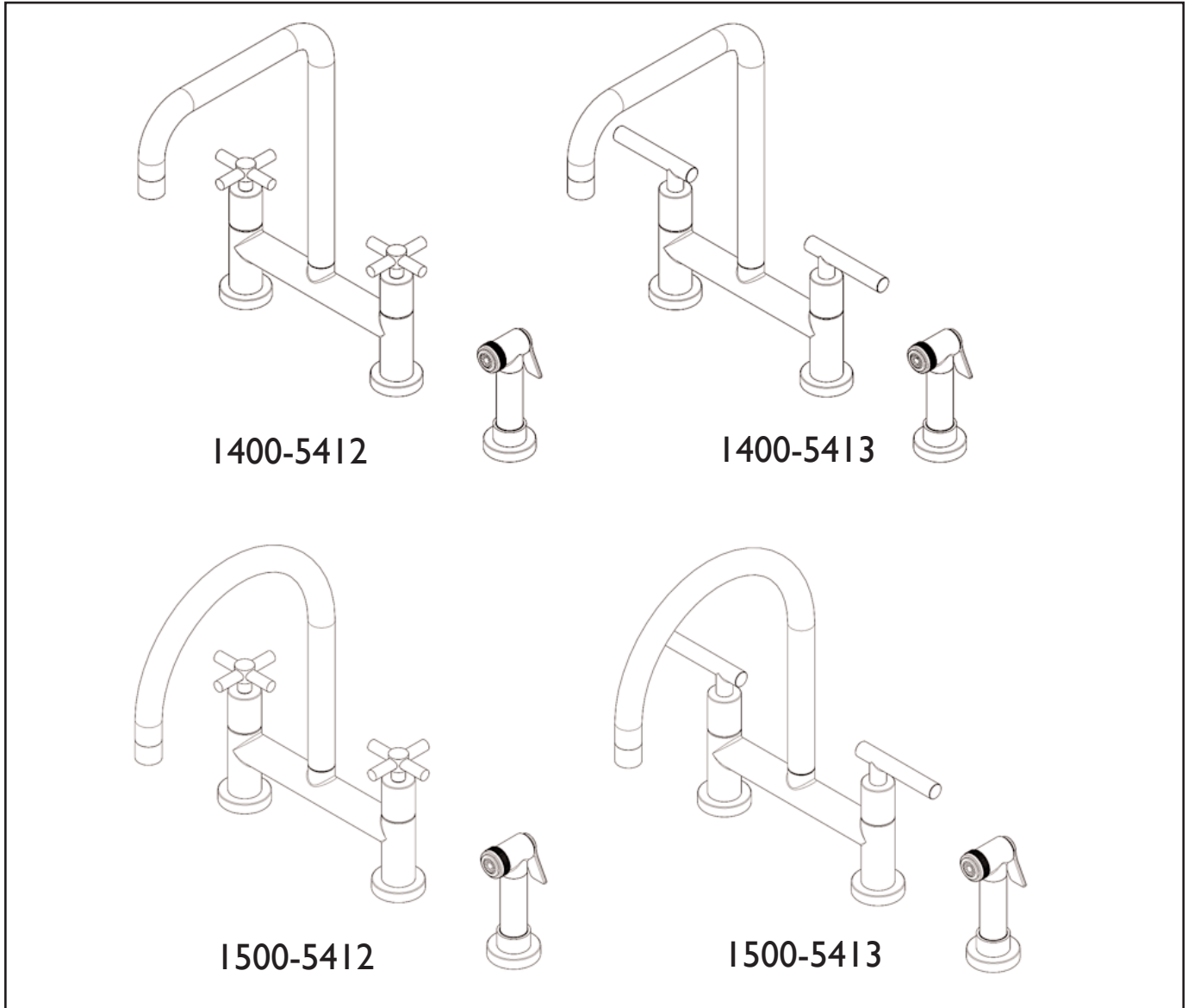


**INSTALLATION INSTRUCTIONS
KITCHEN BRIDGE FAUCET
WITH SIDE SPRAY**

NEWPORT BRASS

Flawless Beauty. From Faucet to Finish.™

**Model No's: 1400-5412, 1400-5413,
1500-5412, 1500-5413**



**Congratulations on the purchase
of this Newport Brass product,
an excellent choice, that will give you
years of quality service and enhance
the look and style of your home.**

Recommended Installation by a Professional Plumbing Contractor

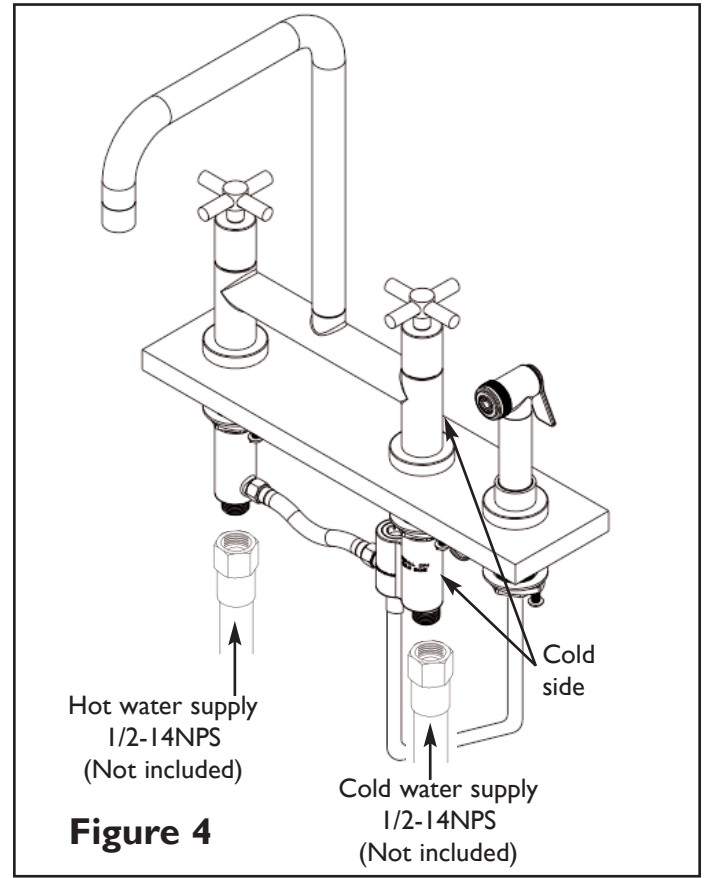
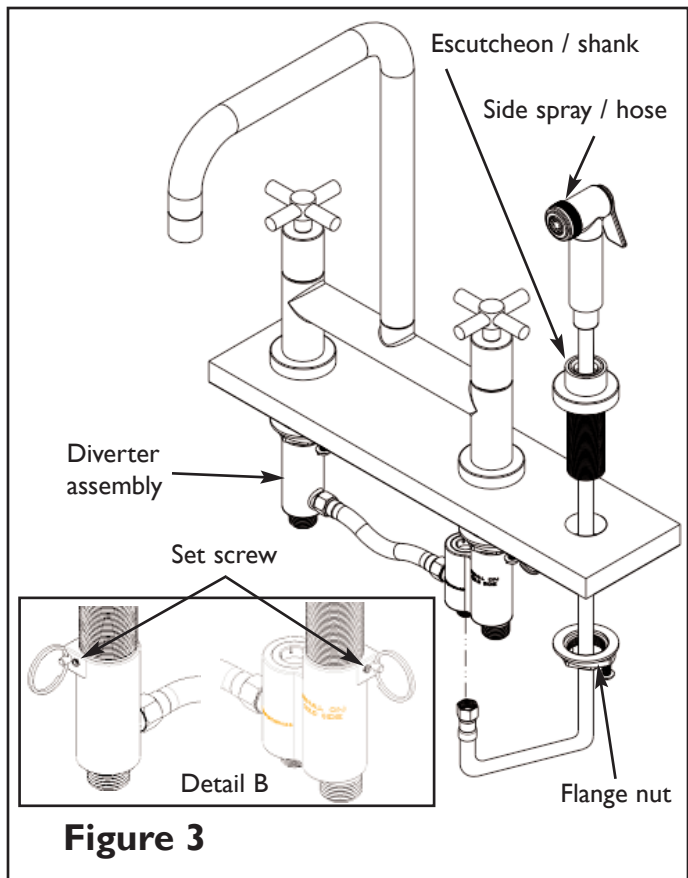
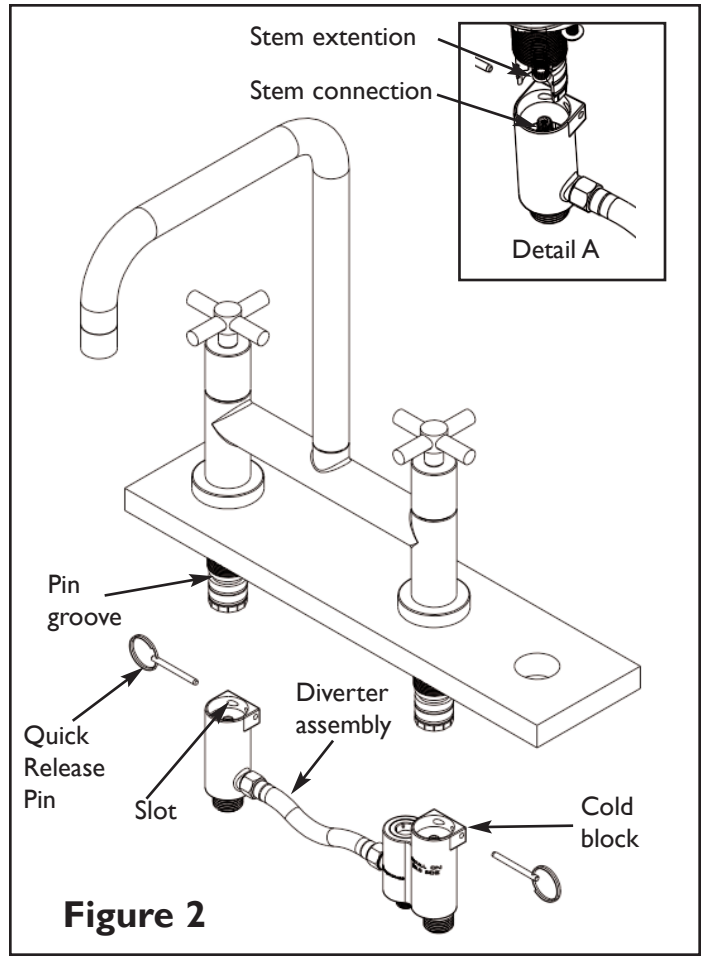
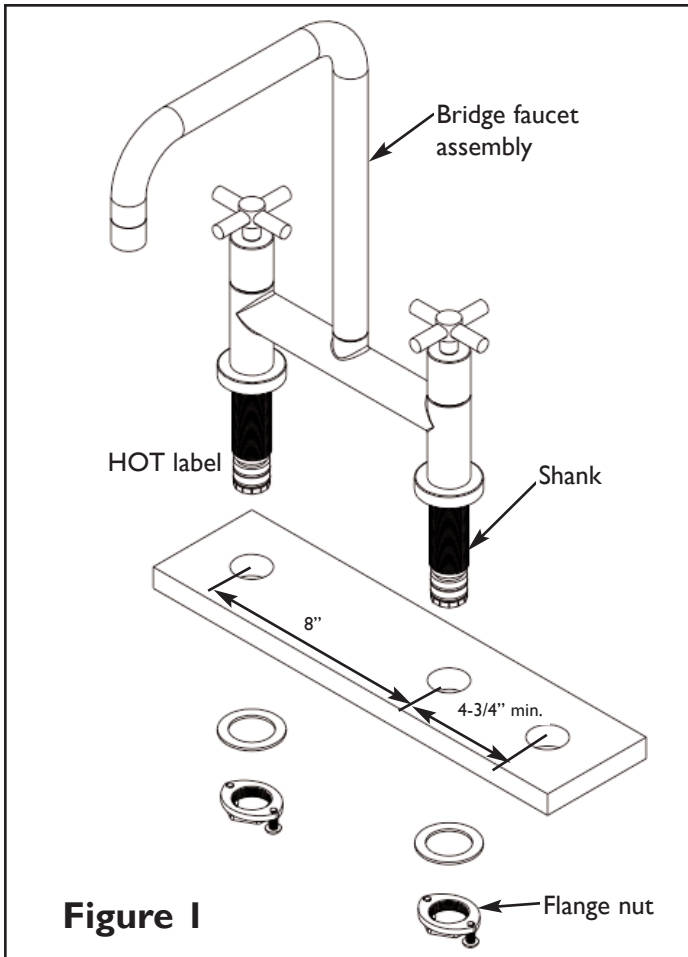
Note: The use of petroleum base plumbers putty on our products will nullify the warranty. We recommend the use of clear silicone sealing materials. Use Plumbers tape or equivalent to seal all threaded joints. If mounting faucet to stainless steel rim, an under-mount support, (e.g. wood, appropriate size x 1/2" thick), should be utilized.

Recommended deck hole $\text{Ø}1.25$. Drill holes in mounting surface, center spacing for bridge faucet to be 8" and the side spray hole to be a minimum of 4-3/4" away from the nearest mounting hole of faucet.

1. Place bridge faucet body through holes on mounting surface and secure into place with flange nuts. Place shank with red paint into left side deck hole. See **Fig. 1**.
2. Attach the diverter assembly to shank - one side at a time (Cold block to the shank on cold side) as follows: Reference **Fig. 2**
 - a. Engage stem connector on to broached stem extension, located inside shank. See **Detail A**.
 - b. Rotate to align exterior hex of shank and interior hex of body then push up into position.
 - c. Check the alignment of the pin groove of shank and slot in body. Secure position by pushing quick release pin through slot and into groove. See **Fig. 2**.
 - d. Tighten the set screw to lock diverter in position. See **Detail B**.
3. Place the side spray escutcheon with shank through mounting surface and secure into place with flange nut. See **Fig. 3**.
4. Drop side spray hose through escutcheon and thread onto diverter assembly. Do not use the adapter provided with spray assembly. See **Fig. 3**.
5. Attach hot and cold water supply hoses (1/2-14NPS, not included) to appropriate valve, (utilizing cone washers, friction rings and nuts - (not included)) See **Fig. 4**.
6. Adjust handle alignment as required by, removing set screws on handle base. Lift handle from stem, rotate to proper alignment and lower back onto stem. Secure into place with setscrews.
7. Remove aerator from spout, turn on water supply, and flush valves until water is clear. Check for leaks and make any final adjustments required. Re-attach aerator to the spout.

Important:

1. If the cold block of the diverter assembly is installed on the hot side of the faucet, the faucet will have no flow.
2. Faucet can operate without side spray by replacing the side spray connection to cold block with 1/4-18 NPMS or 1/4-18 NPT thread cap.



Adjust Handle Alignment:

1. In **Figure 5**, ensure cartridges in full closed position and check HANDLE alignment. If the HANDLE is not correctly aligned, temporarily remove the HANDLE, loosen up (but do not completely remove) the ADAPTER SCREW and rotate CARTRIDGE ADAPTER one tooth clockwise (18 degrees), reassemble the HANDLE and recheck alignment. Repeat until the HANDLE is aligned.
2. Remove the HANDLE and tighten the ADAPTER SCREW to firmly secure the CARTRIDGE ADAPTER to cartridge. Reassemble the HANDLE.

