



## NBF-836CH MULD Widespread 2-Handle Lav Faucet, Chrome

Requested By: \_\_\_\_\_

Specific Features: \_\_\_\_\_



### STANDARD SPECIFICATIONS:

- Lavatory faucet with chrome finish
- Double handles
- 8 - 16" widespread
- Solid brass construction
- Three holes, deck mount installation
- 1.375 or 1.5-inch counter diameter hole required
- cUPC and AB1953 low lead compliant
- NSF 61 and NSF 372 certified

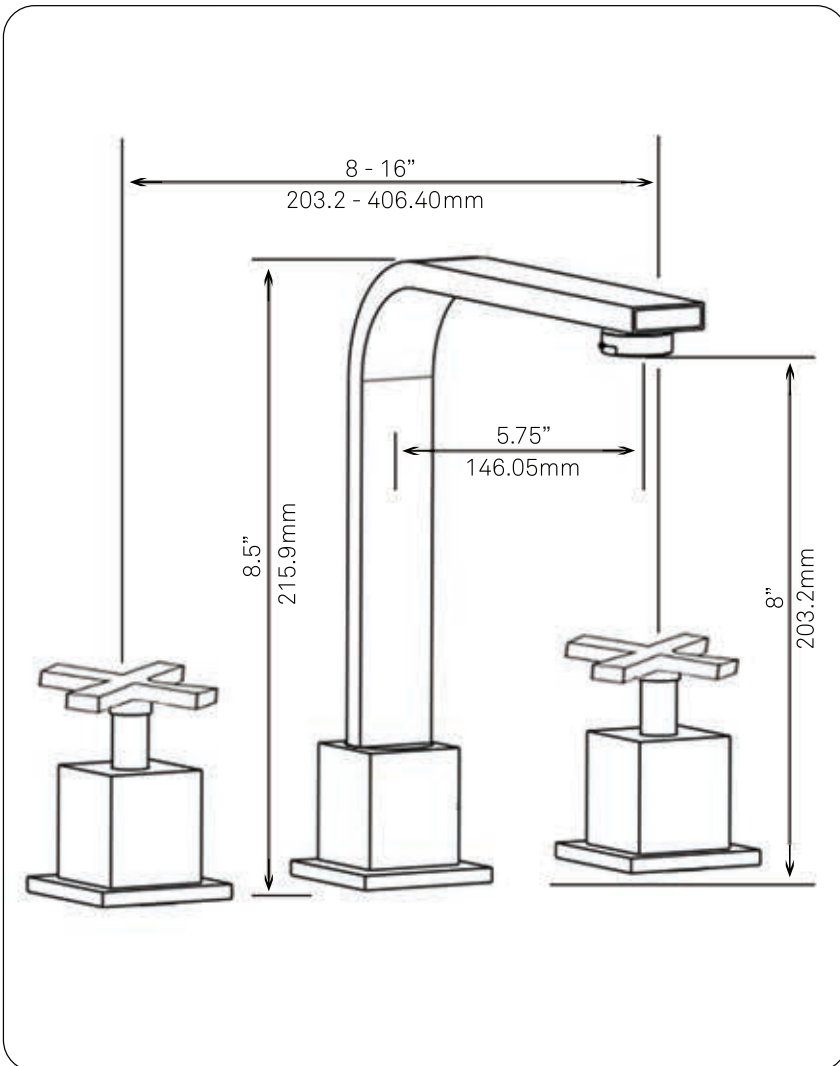
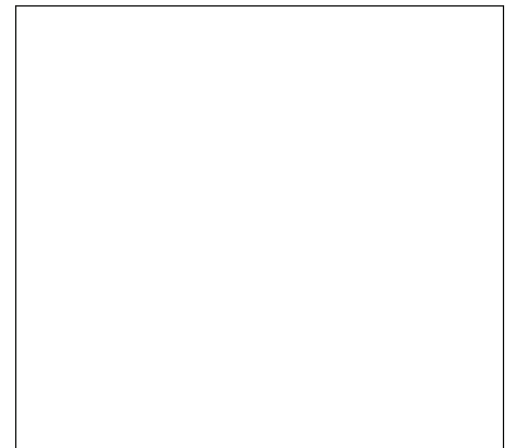
### WARRANTY:

- Limited lifetime warranty
- See [www.NovattoInc.com](http://www.NovattoInc.com) for details

### COORDINATING ACCESSORIES:

- PUD-CH-0 pop-up drain with overflow
- Glacier Ice Restoration and Sealer kit

### NOTES



Novatto reserves the right (1) to make changes in specifications and materials, and (2) to change or discontinue models, both without notice or obligation. Dimensions are for reference only, see [www.NovattoInc.com](http://www.NovattoInc.com) for finish options and product availability.

Novatto Inc  
TOLL FREE 844.404.4242  
[www.NovattoInc.com](http://www.NovattoInc.com)



**PUD-CH-0**  
**Vessel Sink Pop-Up Drain w/ Overflow,**  
**Chrome**

Requested By: \_\_\_\_\_

Specific Features: \_\_\_\_\_

**STANDARD SPECIFICATIONS:**

- Pop-up vessel sink drain with overflow
- Chrome finish
- Solid brass construction
- Includes rubber seals and fastener for installation
- 9.75-inches total length
- Fits any standard 1.75-inch drain opening
- cUPC

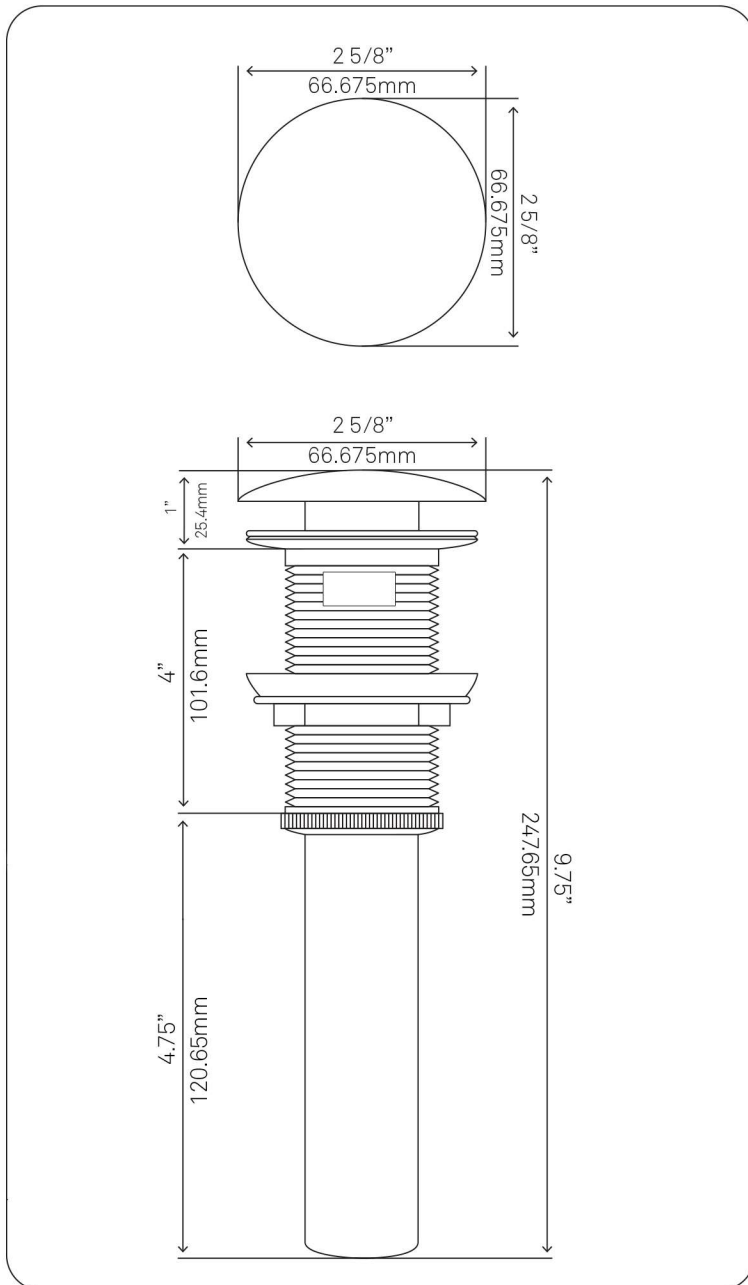
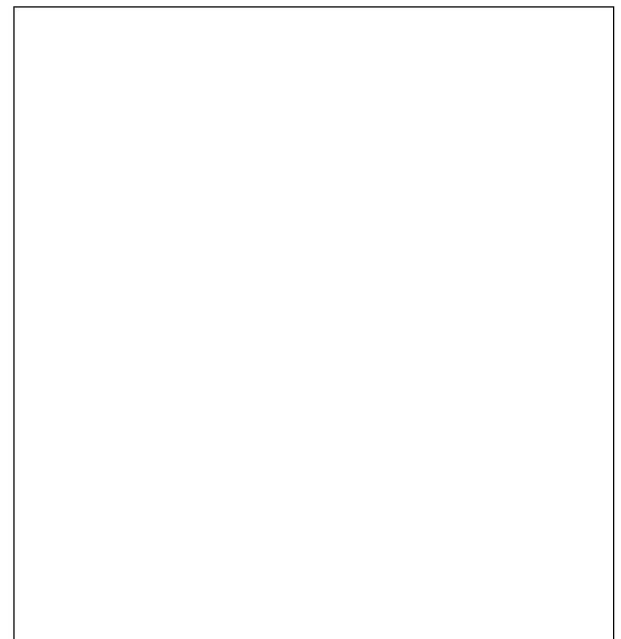
**WARRANTY:**

- Limited lifetime warranty
- See [www.NovattoInc.com](http://www.NovattoInc.com) for details

**COORDINATING ACCESSORIES:**

- Glacier Ice Restoration and Sealer kit

**NOTES**



Novatto reserves the right (1) to make changes in specifications and materials, and (2) to change or discontinue models, both without notice or obligation. Dimensions are for reference only, see [www.NovattoInc.com](http://www.NovattoInc.com) for finish options and product availability.

Novatto Inc  
 TOLL FREE 844.404.4242  
[www.NovattoInc.com](http://www.NovattoInc.com)