



**PUD-BN**  
**Vessel Sink Pop-Up Drain, Brushed Nickel**

Requested By.: \_\_\_\_\_

Specific Features: \_\_\_\_\_

**STANDARD SPECIFICATIONS:**

- Pop-up vessel sink drain
- Brushed nickel finish
- Solid brass construction
- Includes rubber seals and fastener for installation
- 9-inches total length
- Fits any standard 1.75-inch drain opening
- cUPC

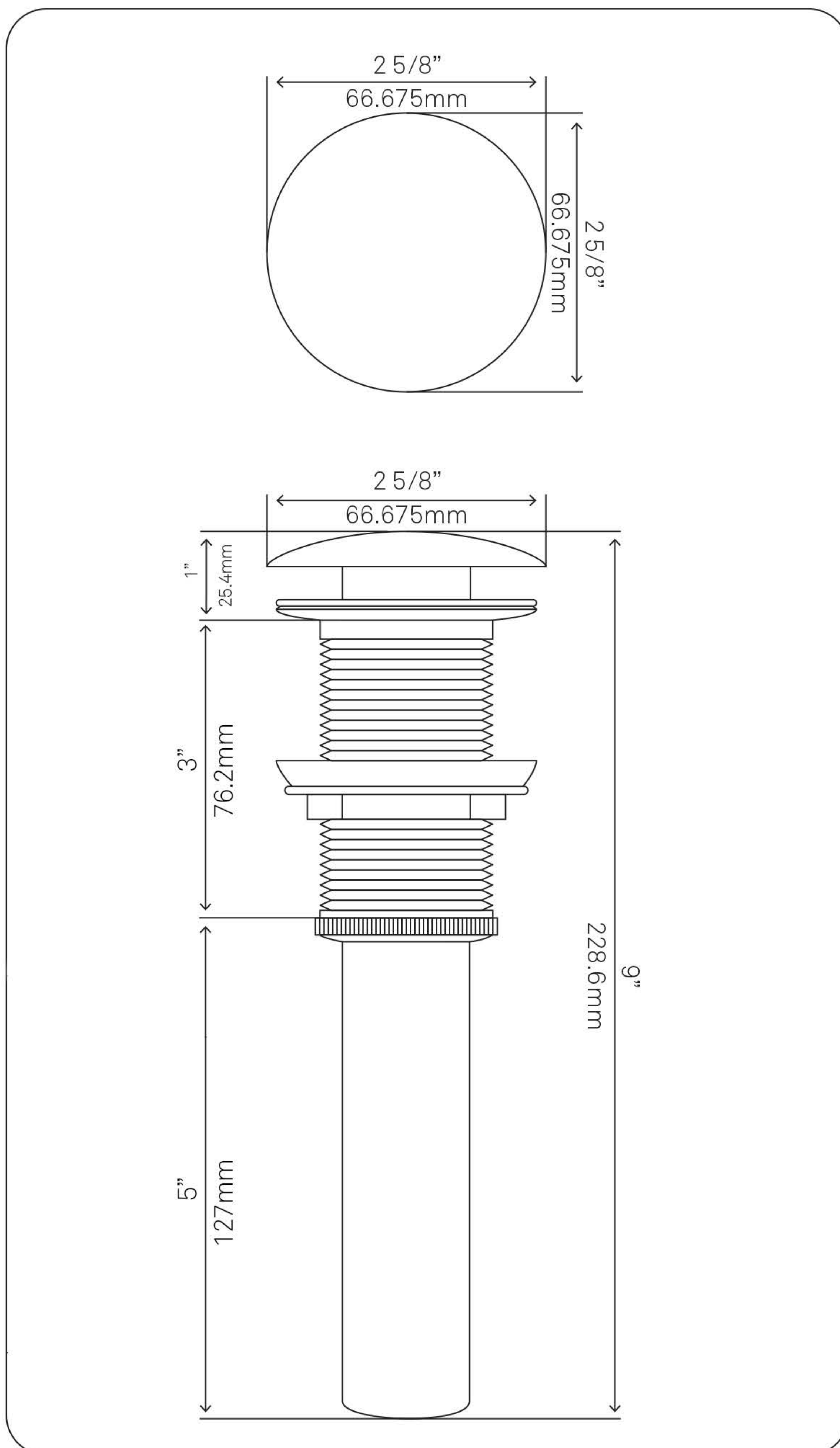
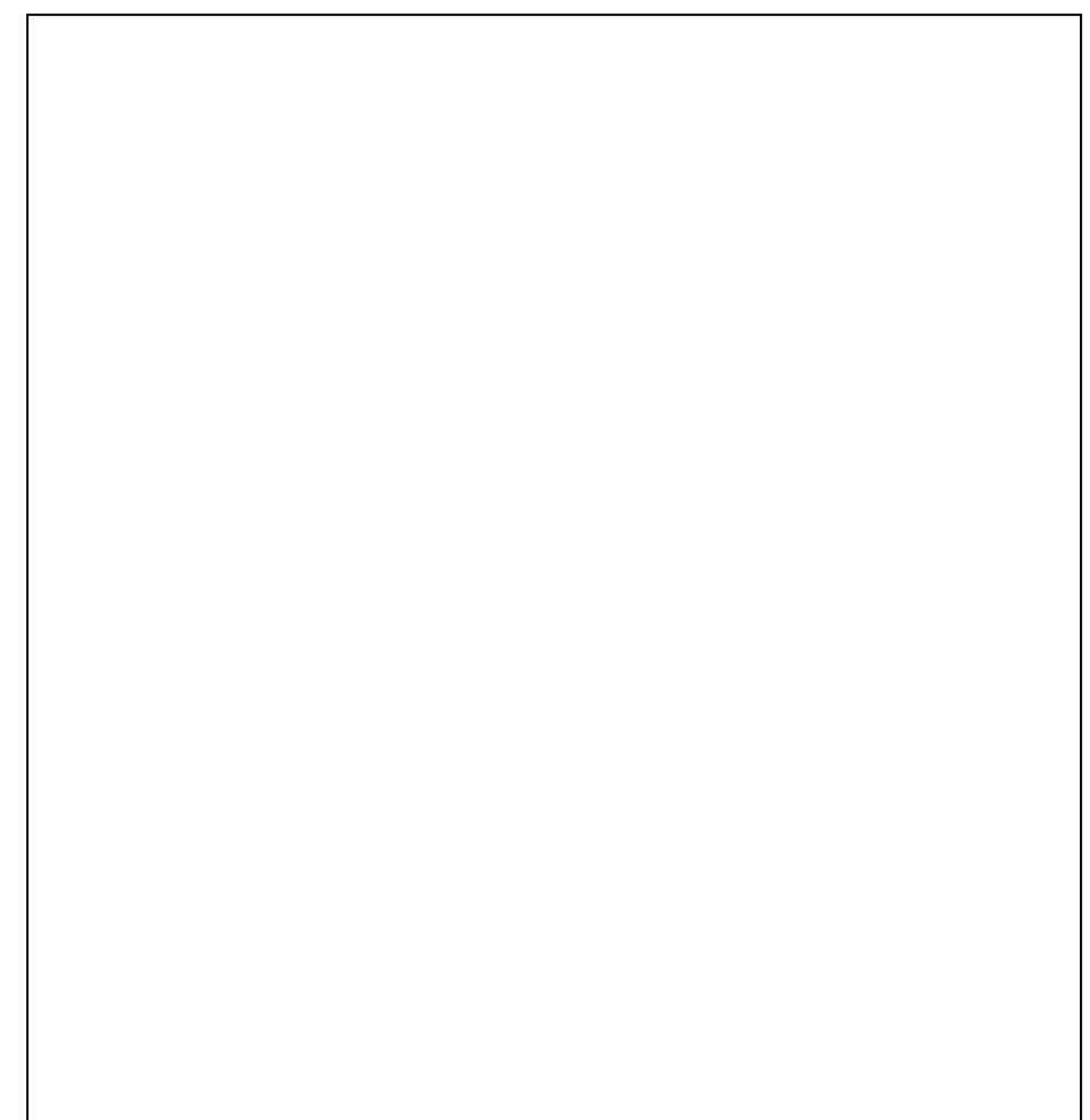
**WARRANTY:**

- Limited lifetime warranty
- See [www.NovattoInc.com](http://www.NovattoInc.com) for details

**COORDINATING ACCESSORIES:**

- Glacier Ice Restoration and Sealer kit
- Brush Nickle Mounting Ring

**NOTES**



Novatto reserves the right (1) to make changes in specifications and materials, and (2) to change or discontinue models, both without notice or obligation. Dimensions are for reference only, see [www.NovattoInc.com](http://www.NovattoInc.com) for finish options and product availability.

Novatto Inc  
 TOLL FREE 844.404.4242  
[www.NovattoInc.com](http://www.NovattoInc.com)