



**Olympia Faucets**  
VALUE FOR BUILDERS

**L-7420**  
**i2v Series**



**Two Handle Lavatory Widespread Faucet**

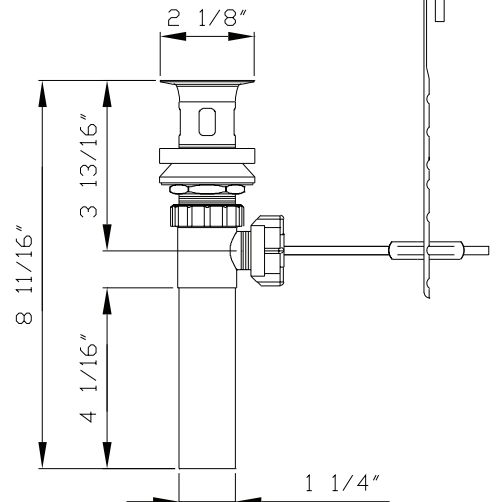
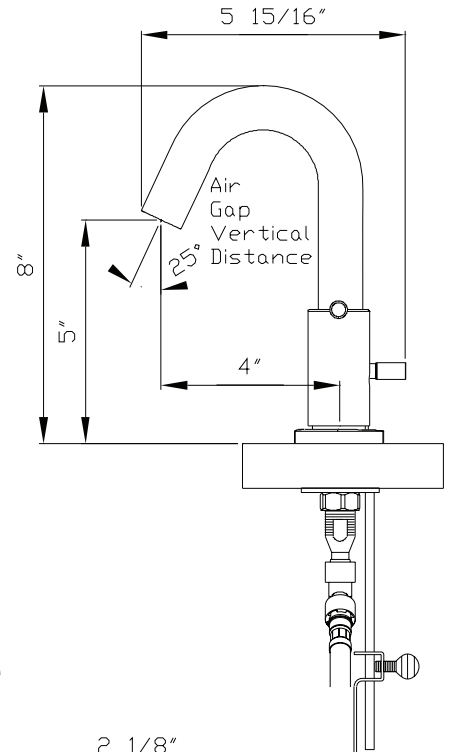
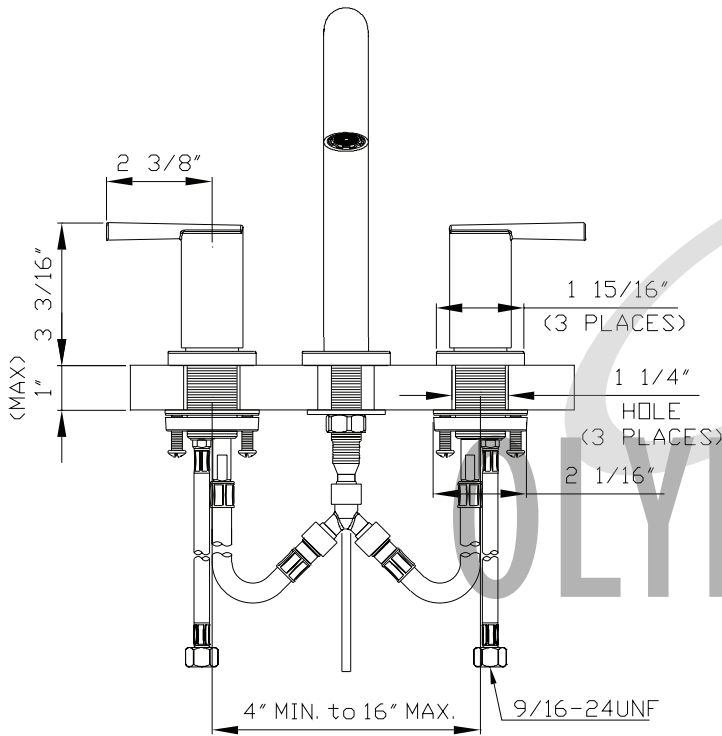
- Lever Handles
- Rigid Gooseneck Spout
- 4" Reach, 5" From Deck to Aerator
- Ceramic Disc Cartridges
- 3-Hole 4" to 16" Installation
- 50/50 Pop-Up Drain Assembly
- With 1.2 GPM Flow Rate
- Easy-install mounting nut

**Code and Standards**

- ASME A112.18.1-2018/CSA B125.1-18
- Cal Green
- NSF/ANSI/CAN 61
- Compliance with AB1953/S152/HB372
- NSF/ANSI 372
- EPA Watersense
- ADA: Compliance to ICC/ANSI A117.1 (Lever Handle Only)



\*For other finishes and flow rates offered, please visit our website, email an inquiry to [sales@pioneerind.com](mailto:sales@pioneerind.com) or contact our sales at 800-338-9468



50/50 Pop-Up Drain