



ENGINEERING EXCELLENCE

Legacy Series #2LG250

SPECIFICATION SHEET

DESCRIPTION

- Single Handle Kitchen Pull-Down Faucet
- Metal Lever Handle
- Pull-Down Head with 2 Spray Patterns Swivel 360°
- 8-1/2" Reach, 8" from Deck to Aerator
- Ceramic Disc Cartridge
- 1 or 3 Hole 8" Installation
- Easy-Install 30" Flex Supply Lines With 3/8" Connections
- Quick Connect Spray Head Hose and Weight, Easy-install mounting nut

FINISHES

- PC Polished Chrome
- BN PVD Brushed Nickel
- ORB Oil Rubbed Bronze



#2LG250 SHOWN * ADA 

FLOW

- Pull-Down Spray Head Limited to 1.8 GPM

Model #: _____

Specific Features: _____

Project Name: _____

Submitted For: _____

STANDARDS APPLICABLE

- ASME A112.18.1
- ANSI A117.1
- ANSI / NSF 61, SECTION 9
- CUPC / IAPMO LISTED / ADA COMPLIANT
- CONTAINS NO MORE THAN 0.25% WEIGHTED AVERAGE LEAD CONTENT

Model	Description	Finishes	
#2LG250	Single Handle Kitchen Pull-Down Faucet	<input type="checkbox"/> PC	<input type="checkbox"/> Other__



ENGINEERING EXCELLENCE

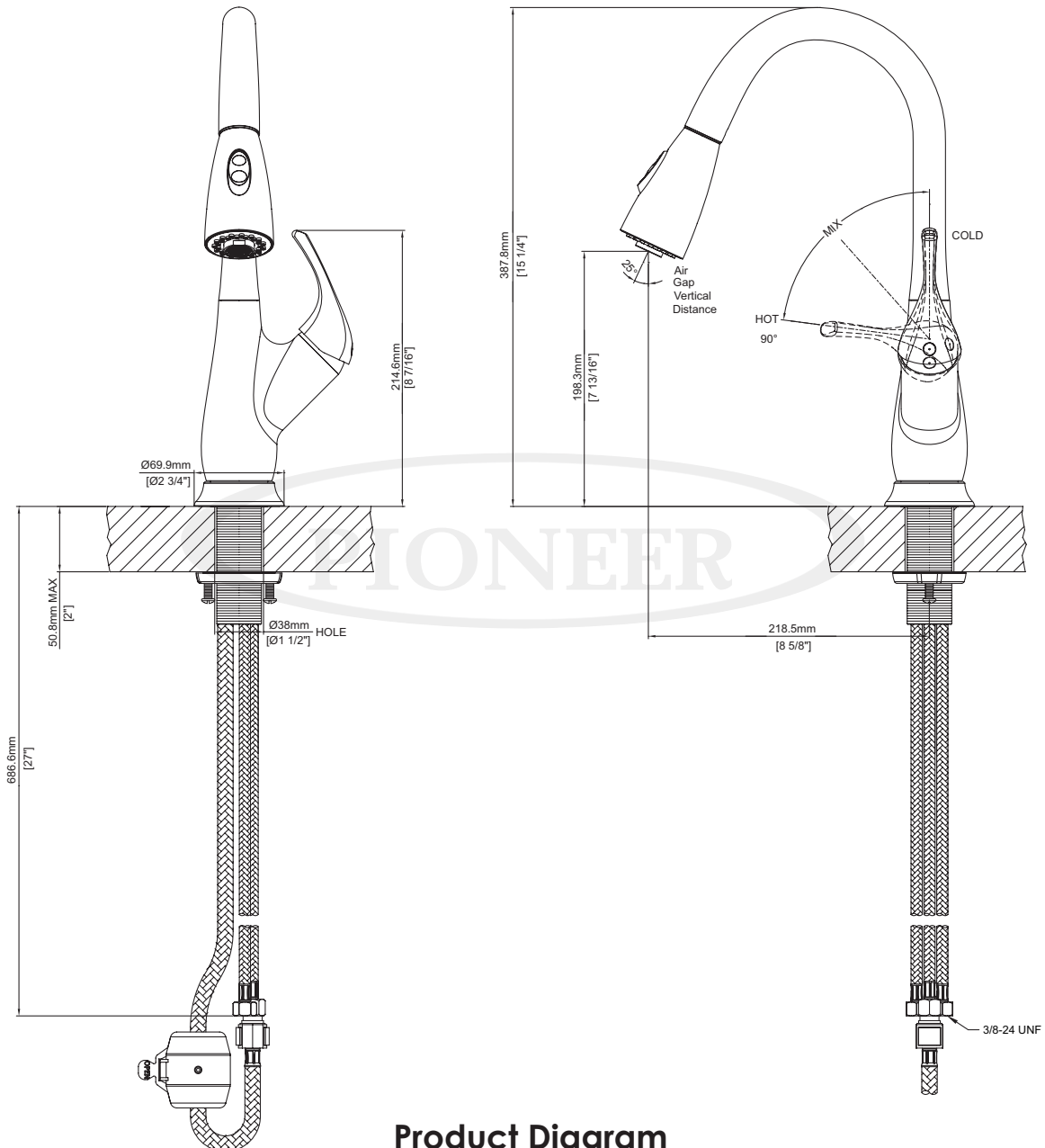
Pioneer:1-800-338-9468
 Commerce, CA 90040
 www.pioneerind.com
 Pioneer Industries, Inc. © 2018

DMSP2LG250/REV. 06 2018

Page 1 of 2

Installation Note:

Faucet Hole Size :- 1-1/2"
 Maximum Deck Thickness:- 2"



Product Diagram



ENGINEERING EXCELLENCE

Pioneer:1-800-338-9468
 Commerce, CA 90040
 www.pioneerind.com
 Pioneer Industries, Inc. © 2018