



# ENGINEERING EXCELLENCE

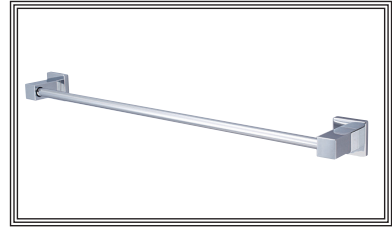
## Mod Series #7MO031 SPECIFICATION SHEET

### DESCRIPTION

- Towel Bar
- 18" Long
- Concealed Screw Installation
- Mounting Hardware

### FINISHES

- PC Polished Chrome
- BN PVD Brushed Nickel
- MB Matte Black



#7MO031 SHOWN

Model #: \_\_\_\_\_

Specific Features: \_\_\_\_\_

Project Name: \_\_\_\_\_

Submitted For: \_\_\_\_\_

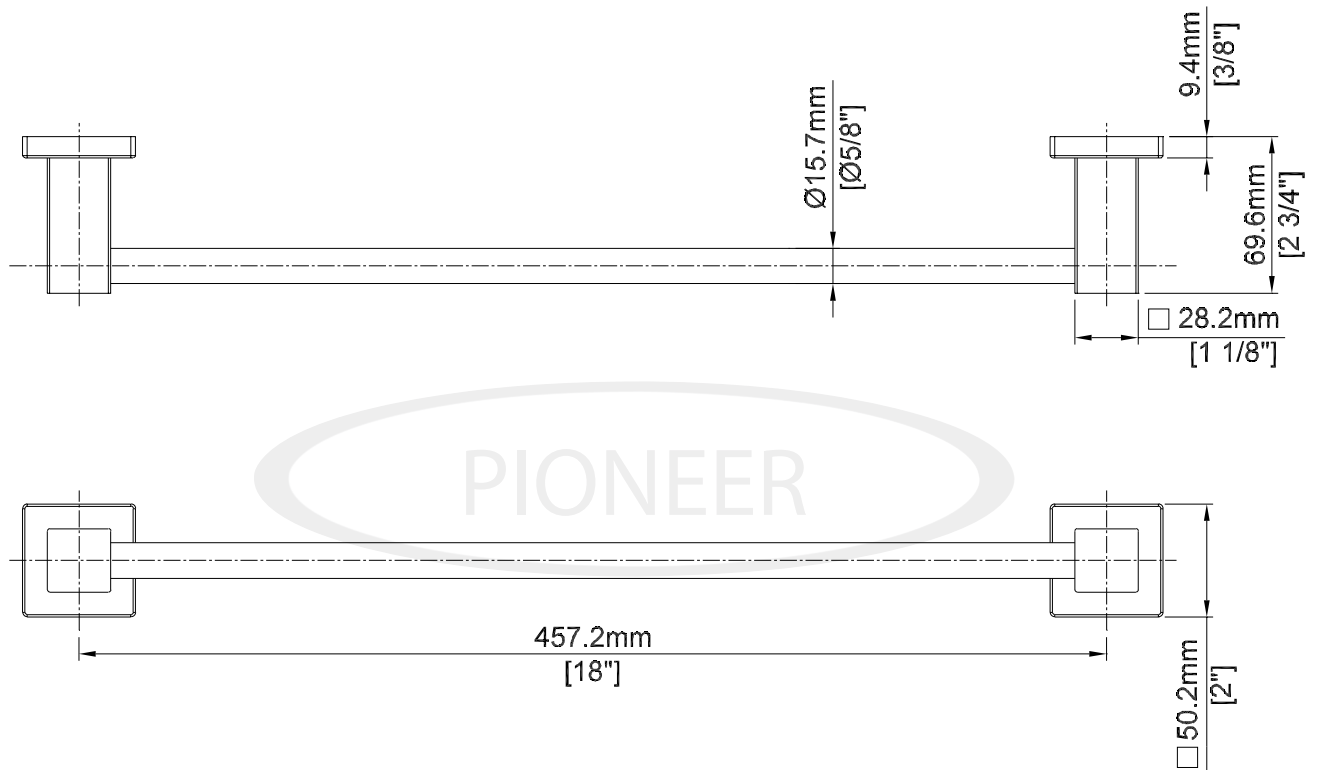
Model	Description	Finishes	
#7MO031	Towel Bar	<input type="radio"/> PC	<input type="radio"/> Other___



ENGINEERING EXCELLENCE  
 Pioneer:1-800-338-9468  
 Commerce, CA 90040  
 www.pioneerind.com  
 Pioneer Industries, Inc. © 2015

**Installation Note:**

Please refer to the Installation Guide for complete installation instructions



**Product Diagram**



ENGINEERING EXCELLENCE

Pioneer: 1-800-338-9468  
 Commerce, CA 90040  
 www.pioneerind.com  
 Pioneer Industries, Inc. © 2015