



QUICKDRAIN SQUAREDRAIN TILE IN COVER TECHNICAL SPECIFICATION

Job Name _____	Item # _____
Location _____	
Engineer _____	Contractor _____
PO # _____	Tag _____
Representative _____	

DESCRIPTION

The SquareDrain Covers are made of 18 gauge 304 stainless steel. They are available in three sizes; 4", 5" and 6", and in Brushed Stainless Steel finish.

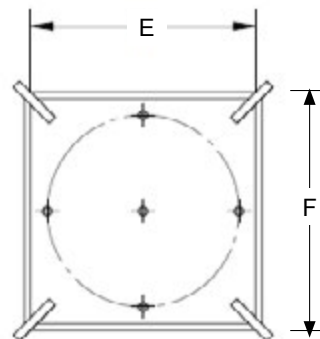
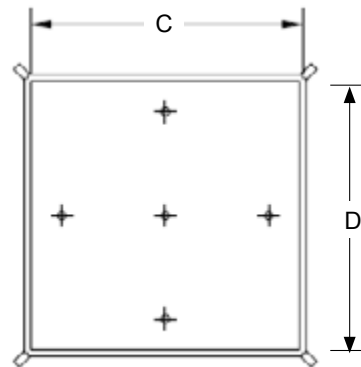
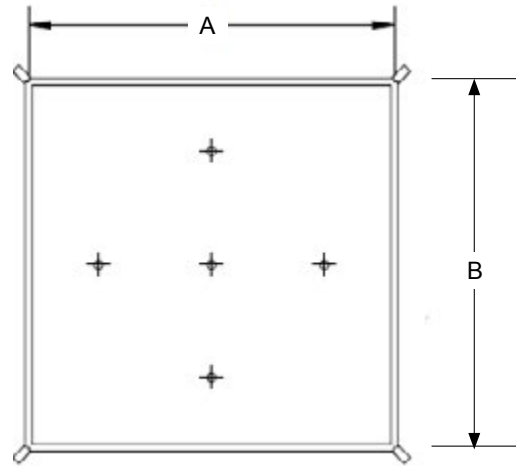
APPROVALS AND LISTINGS

Before installing QuickDrain USA system, check with your local building department/plumbing inspector to ensure compliance with the local building codes. QuickDrain USA LLC is not responsible for any conflicts with local building codes. QuickDrain USA LLC is not responsible for improper installation of any part of the assembly or the waterproofing membrane. Dimensions are subject to manufacturer's tolerance and can change without notice.



PRODUCT SELECTOR

TILE IN SQUAREDRAIN COVERS				
✓	Size	Finish	Product Number	Compatible SquareDrain drain body
	4"	STAINLESS STEEL	TILEIN04	CPD04
	5"	STAINLESS STEEL	TILEIN05	CPD05
	6"	STAINLESS STEEL	TILEIN06	CPD06



DIMENSIONS

[A]:	5-1/4"	[D]:	4-1/4"
[B]:	5-1/4"	[E]:	3-1/4"
[C]:	4-1/4"	[F]:	3-1/4"

Access BIM/Revit content through www.quickdrainusa.com