

SIGNATURE SERIES

by RONBOW

INSTALLATION AND CARE GUIDE

SINK
Sinktop

Model : E012427 E042447 E072435 E092842
 E012428 E052431 E072443
 E032439 E052463 E082520
 E042431 E062730 E092830

PRE-INSTALLATION

Tools Required



MATERIALS REQUIRED

1 drain

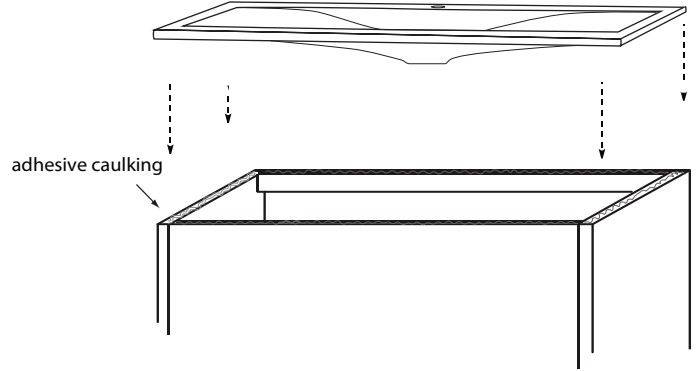
Model :	E012427	E042447	E072435	E092842
	E012428	E052431	E072443	
	E032439	E052463	E082520	
	E042431	E062730	E092830	

INSTALLATION

Step 1: Place adhesive around top of cabinet.

See Figure 1.

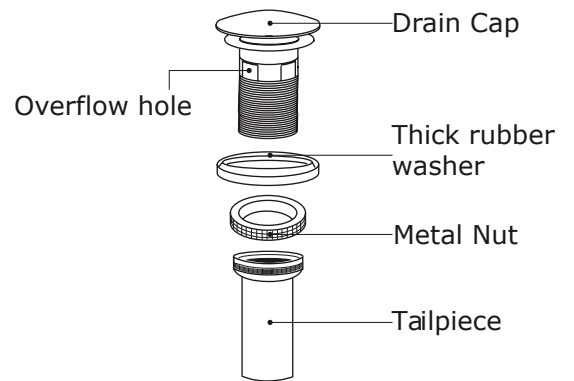
Figure 1.



Step 2: Place a generous portion of plumbers' putty under drain cap and insert whole drain body inside the bowl and through the countertop.

See Figure 2.

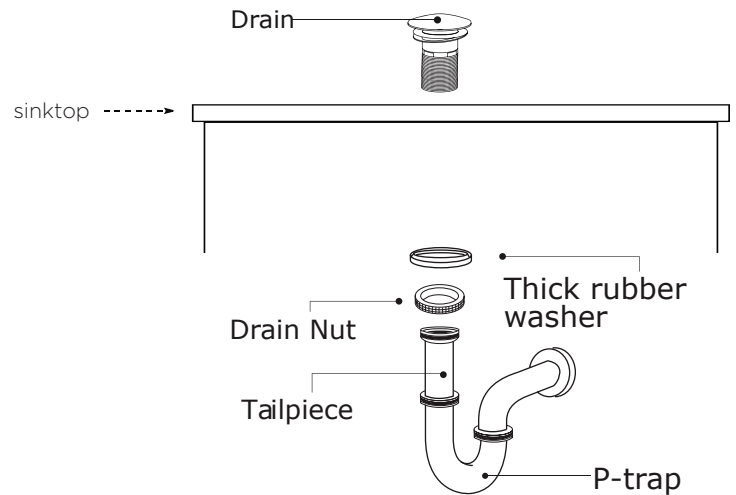
Figure 2.



Step 3: From under the drain, insert the thick rubber washer, screw on and tighten the metal nut. Remove excess plumbers' putty.

See Figure 3.

Figure 3.



Step 4: Attach p-trap to tailpiece.

Model : E012427	E042447	E072435	E092842
E012428	E052431	E072443	
E032439	E052463	E082520	
E042431	E062730	E092830	

PRODUCT CARE AND MAINTENANCE

The fine furniture finish of your new vanity, mirror or other bathroom accessories are designed to protect against normal home use. With proper care, your product will provide years of use and beauty in your home.

General Care Tips

- Test cleaning product on small, discrete area prior to applying to entire surface.
- Wipe surfaces frequently with dry, soft, non-abrasive and lint-free towel.
- Do not allow liquids and moisture to accumulate on the surface of products.
- For warranty information, please visit our website at www.ronbow.com or contact the Customer Service Department at (510) 713-1188.

Ceramic Sinks

- If a spill occurs, clean and dry the surface immediately as liquid can soak through the surface and cause greater damage.
- Do not place in direct sunlight. Exposure to sunlight may affect the appearance of your vanity, and the finish will eventually crack.
- Keep away from direct sources of extreme temperatures as heat, cold or moisture from humidity. Color changes, or blemishes in the wood can occur if recommended care of is not met. Try to avoid these extremes.
- Most wood surfaces can be cleaned, or dusted, with any commercial wood cleaning product. For general cleaning, use a non-abrasive, or lint-free cloth while dusting along the wood grain to preserve the wood's characteristics.

Recommended Products

- Bar Keeper's Friend
- Household Vinegar
- Proprietary Bathroom Cleaning Products

DISCLAIMERS: Effectiveness of cleaning your Ronbow products is dependent on various factors that include: water temperature, concentration and/or amounts of cleansers. Because of these many different conditions, Ronbow cannot guarantee that the above Product Care & Maintenance methods will effectively clean your product.

Model :	E012427	E042447	E072435	E092842
	E012428	E052431	E072443	
	E032439	E052463	E082520	
	E042431	E062730	E092830	

Solid Surface Sinks

- After applying recommended cleaning products, wipe surfaces clean and rinse completely with water immediately
- Use mild cleaning solution only, Strong, abrasive cleaners are not recommended, and can damage surface. Do not allow cleaner to soak.
- Use a soft, dampened sponge or cloth. Never use an abrasive materials such as a brushed or scouring pad to clean surface.
- Always test your cleaning solution on a inconspicuous area before apply to the entire surface.
- Hot pans, electric frying pans, waffle irons, crock-pots, and other heat-generating appliances can damage the surface. To prevent heat damager, always use a trivet with rubber feet between the appliance and the countertop.
- Avoid exposing solid surface to strong chemicals, such as paint removers, oven cleaner, ect. If contact occurs, quickly flush the surface with water.
- Remove nail polish with a non-acetone-based nail polish remover and flush with water.
- Do not cut directly on your solid surface countertop. Cutting directly on it will damage the surface.
- Run cold water when pouring boiling water into sinks
- Soapy water and a sponge will remove most stains. Do not use 409 or Fantastik.
- For more stubborn stains use a blue scotch-brite pad and Soft-Scrub.

Recommended Products

- Proprietary Bathroom Cleaning Products

DISCLAIMERS: Effectiveness of cleaning your Ronbow products is dependent on various factors that include: water temperature, concentration and/or amounts of cleansers. Because of these many different conditions, Ronbow cannot guarantee that the above Product Care & Maintenance methods will effectively clean your product.

RONBOW

40650 Encyclopedia Circle
Fremont, CA 94538

T 510.713.1188
F 510.657.9388

SIGNATURE SERIES

by RONBOW

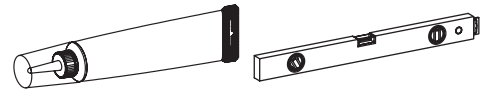
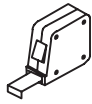
INSTALLATION AND CARE GUIDE

SINK
Above Counter

Model : E012001 E012006 E032001
 E012002 E022002 E032002
 E012003 E022003 E092001
 E012005 E022004

PRE-INSTALLATION

Tools Required



MATERIALS REQUIRED

1 drain

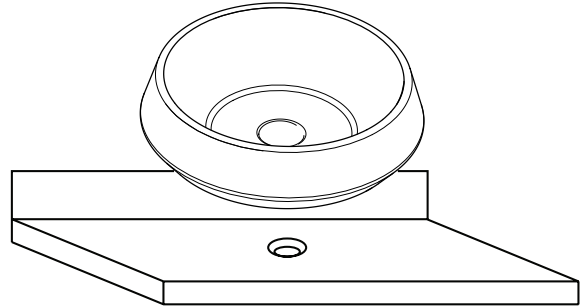
Model : E012001	E012006	E032001
E012002	E022002	E032002
E012003	E022003	E092001
E012005	E022004	

INSTALLATION

Step 1: Position countertop opening to ensure clearance between the lavatory, faucet and backsplash. Cut 1-3/4" hole for drain in countertop.

See Figure 1.

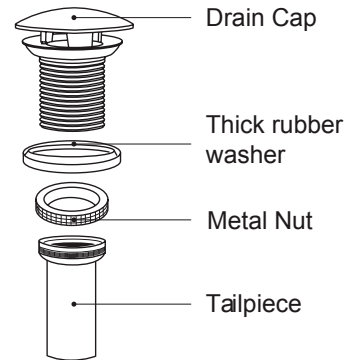
Figure 1.



Step 2: Place a generous portion of plumbers' putty under drain cap and insert whole drain body inside the bowl and through the countertop.

See Figure 2.

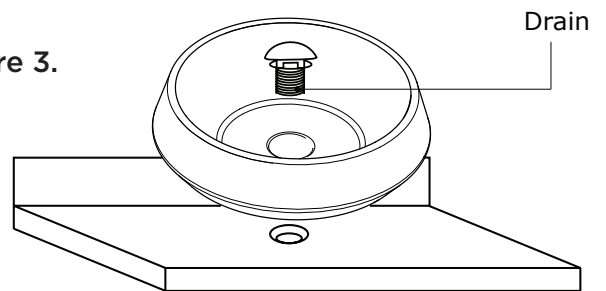
Figure 2.



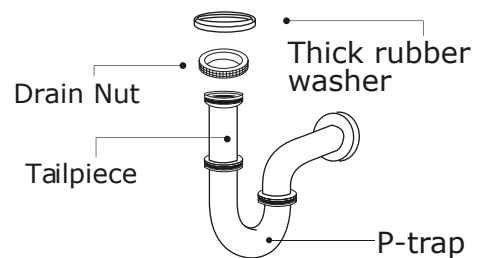
Step 3: From under the drain, insert the thick rubber washer, screw on and tighten the metal nut. Remove excess plumbers' putty.

See Figure 3.

Figure 3.



Step 4: Attach p-trap to tailpiece.



Model : E012001	E012006	E032001
E012002	E022002	E032002
E012003	E022003	E092001
E012005	E022004	

PRODUCT CARE AND MAINTENANCE

The fine furniture finish of your new vanity, mirror or other bathroom accessories are designed to protect against normal home use. With proper care, your product will provide years of use and beauty in your home.

General Care Tips

- Test cleaning product on small, discrete area prior to applying to entire surface.
- Wipe surfaces frequently with dry, soft, non-abrasive and lint-free towel.
- Do not allow liquids and moisture to accumulate on the surface of products.
- For warranty information, please visit our website at www.ronbow.com or contact the Customer Service Department at (510) 713-1188.

Ceramic Sinks

- If a spill occurs, clean and dry the surface immediately as liquid can soak through the surface and cause greater damage.
- Do not place in direct sunlight. Exposure to sunlight may affect the appearance of your vanity, and the finish will eventually crack.
- Keep away from direct sources of extreme temperatures as heat, cold or moisture from humidity. Color changes, or blemishes in the wood can occur if recommended care of is not met. Try to avoid these extremes.
- Most wood surfaces can be cleaned, or dusted, with any commercial wood cleaning product. For general cleaning, use a non-abrasive, or lint-free cloth while dusting along the wood grain to preserve the wood's characteristics.

Recommended Products

- Bar Keeper's Friend
- Household Vinegar
- Proprietary Bathroom Cleaning Products

DISCLAIMERS: Effectiveness of cleaning your Ronbow products is dependent on various factors that include: water temperature, concentration and/or amounts of cleansers. Because of these many different conditions, Ronbow cannot guarantee that the above Product Care & Maintenance methods will effectively clean your product.

Model :	E012001	E012006	E032001
	E012002	E022002	E032002
	E012003	E022003	E092001
	E012005	E022004	

Solid Surface Sinks

- After applying recommended cleaning products, wipe surfaces clean and rinse completely with water immediately
- Use mild cleaning solution only, Strong, abrasive cleaners are not recommended, and can damage surface. Do not allow cleaner to soak.
- Use a soft, dampened sponge or cloth. Never use an abrasive materials such as a brushed or scouring pad to clean surface.
- Always test your cleaning solution on a inconspicuous area before apply to the entire surface.
- Hot pans, electric frying pans, waffle irons, crock-pots, and other heat-generating appliances can damage the surface. To prevent heat damager, always use a trivet with rubber feet between the appliance and the countertop.
- Avoid exposing solid surface to strong chemicals, such as paint removers, oven cleaner, ect. If contact occurs, quickly flush the surface with water.
- Remove nail polish with a non-acetone-based nail polish remover and flush with water.
- Do not cut directly on your solid surface countertop. Cutting directly on it will damage the surface.
- Run cold water when pouring boiling water into sinks
- Soapy water and a sponge will remove most stains. Do not use 409 or Fantastik.
- For more stubborn stains use a blue scotch-brite pad and Soft-Scrub.

Recommended Products

- Proprietary Bathroom Cleaning Products

DISCLAIMERS: Effectiveness of cleaning your Ronbow products is dependent on various factors that include: water temperature, concentration and/or amounts of cleansers. Because of these many different conditions, Ronbow cannot guarantee that the above Product Care & Maintenance methods will effectively clean your product.

RONBOW

40650 Encyclopedia Circle
Fremont, CA 94538

T 510.713.1188
F 510.657.9388

ronbow.eu | ronbow.com