



## GEORGIAN ERA EXPOSED BATHTUB/SHOWER MIXER WITH LEVER HANDLES

ROHL Perrin & Rowe® Bath

**U.3018LSP** (Metal Levers with Porcelain Caps)  
**U.3018LS** (All Metal Levers)

### FEATURES

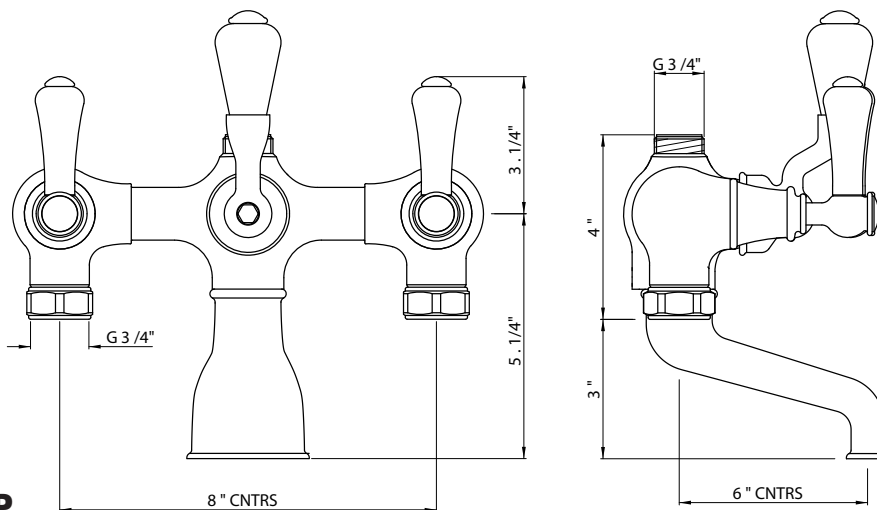
- Fixed spout
- Spout, valve housing, and handles made from solid brass
- 1/4-turn ceramic disc valves
- Unique handles fixing clip, engineered to increase the life of the valve
- 3/4" Female straight thread capture nut
- 19 GPM at 40 PSI
- Hand shower and Cradle: U.5380
- Union options:
  - Wall: U.6381
  - Deck: U.6386 and U.6387
  - Floor Pillar Legs: U.6388
- Must be installed with a listed in-line device complying with ASSE1070

### COLORS/FINISHES

- Polished Chrome
- Polished Nickel
- Satin Nickel
- Inca Brass
- English Bronze

### WARRANTY

- Limited Lifetime



**U.3018LS**

**U.3018LSP**

## Installation Instructions

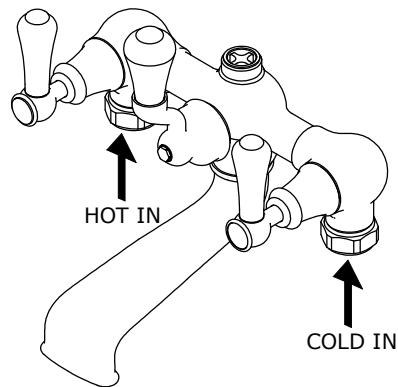


### The Georgian Bathroom Collection

#### Installation & User Guide

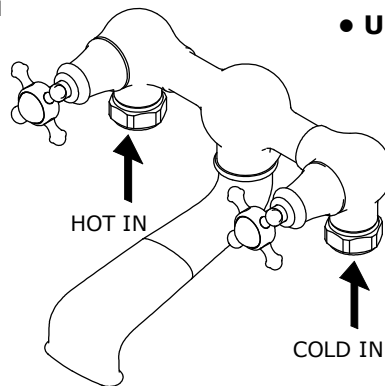
#### TUB/ SHOWER MIXER BODY

- U.3018L
- U.3019X



#### TUB MIXER BODY

- U.3021L
- U.3022X



Max Temp : 85°C/185°F

**Recommended Working Pressure:**

Min 1bar/15psi  
Max 5bar/75psi

**Ideal performance obtained with equal hot & cold pressures.**

Must be installed with a listed in-line device complying with ASSE 1070

**For installation with**

**U6387  
U6386  
U6380  
U6381**

## Installation Instructions

### The Georgian Bathroom Collection Installation & User Guide

*Congratulations on the purchase of your Perrin & Rowe Bathroom Product. Correctly installed and with sensible care, this product will give you many years of trouble free service.*

#### IMPORTANT INFORMATION

**Before you proceed... We recommend you engage the services of a registered plumber to install this product.**

**For ease of possible future servicing, we also recommend the fitting of conveniently placed isolating valves.**

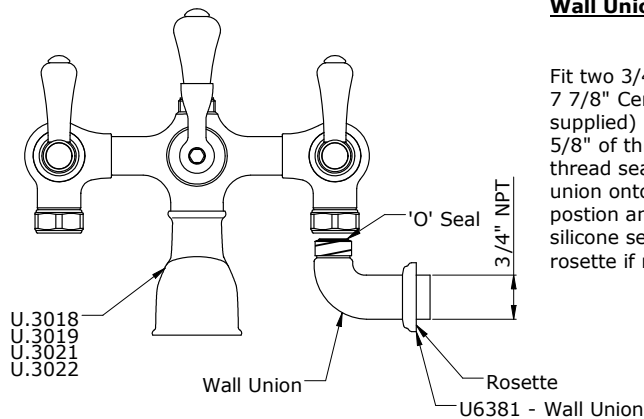
**In addition to the guide below it is essential that the written information overleaf is carefully read and understood.**

#### Preparation Check Box for Installer

Flush the plumbing system before installing the bathroom product.

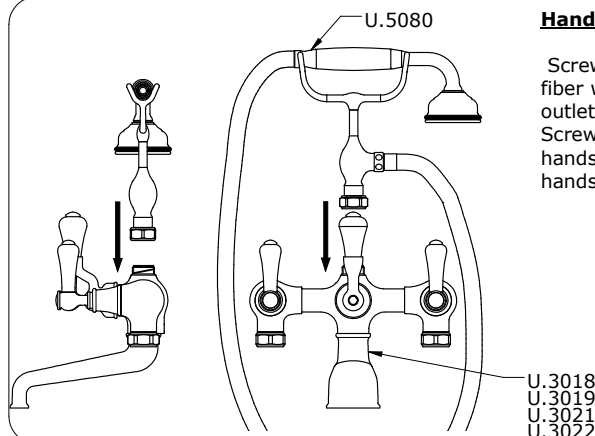
Once unpacked remove large & small base seals, rosette, hood & lever, securing nut, clamp plate, pop-up and top waste ready for installation.

#### Wall Unions



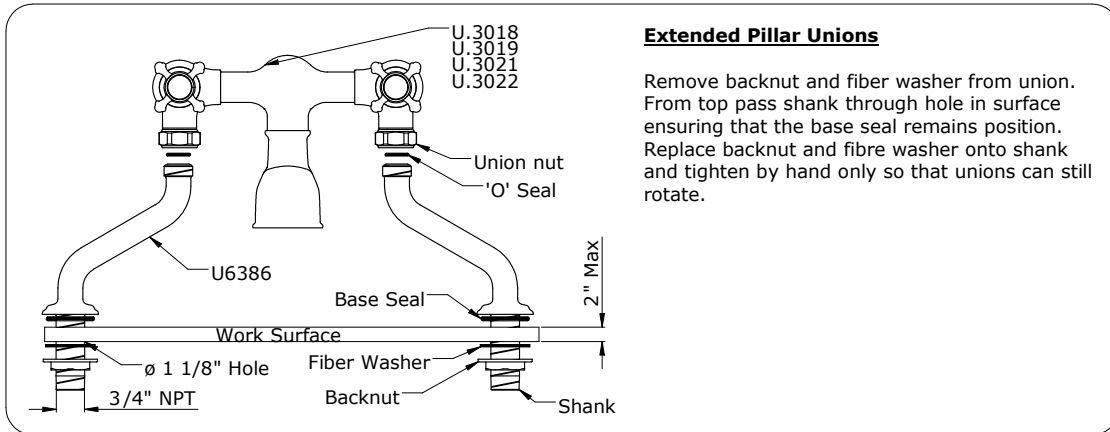
Fit two 3/4" NPT female fittings into the wall at 7 7/8" Centers. Fit a 3/4" NPT male shank (not supplied) into the fitting so that no more than 5/8" of thread is protruding from the wall. Apply thread sealing material to shank and screw union onto shank. Turn union to required position and slide rosette up to wall surface. A silicone seal can be applied between the wall rosette if required.

#### Hand Shower and Cradle



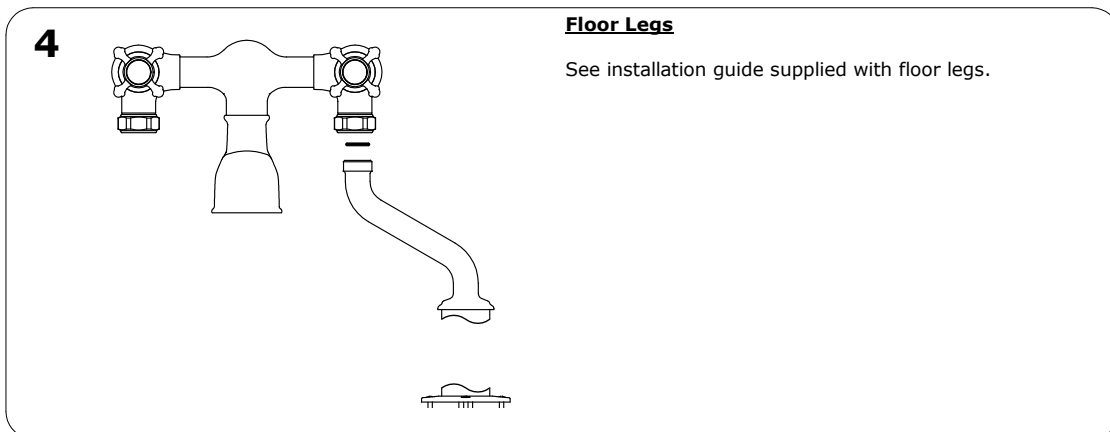
Screw cradle nut fully onto the mixer body, ensuring that the fiber washer is in position between the cradle and body. The outlet for the handshower can be positioned facing left or right. Screw tapered end of the handshower hose onto the handshower and screw the nut end onto the cradle. Place the handshower onto the cradle.

## Installation Instructions



### Extended Pillar Unions

Remove backnut and fiber washer from union. From top pass shank through hole in surface ensuring that the base seal remains position. Replace backnut and fibre washer onto shank and tighten by hand only so that unions can still rotate.



### Floor Legs

See installation guide supplied with floor legs.

### BEFORE USE

- Carefully check the installation for leaks.
- If further building work is to be carried out in the vicinity, cover the product with a plastic bag to avoid damaging the finish.
- Please ensure that the installation complies with local plumbing codes.

### CARE & MAINTENANCE

Wipe down after use to avoid water spotting and mineral build up.

Occasional cleaning with warm soapy water, followed by a polish with a soft cloth is all that is required to keep the plated finish in good condition.

**Do not use proprietary abrasive liquids, powders, or pads to clean the shower. Do not use any products with ammonia bleach or limescale remover. You will damage the plated finish and void your guarantee.**

## Installation Instructions

### ROHL WARRANTY POLICY

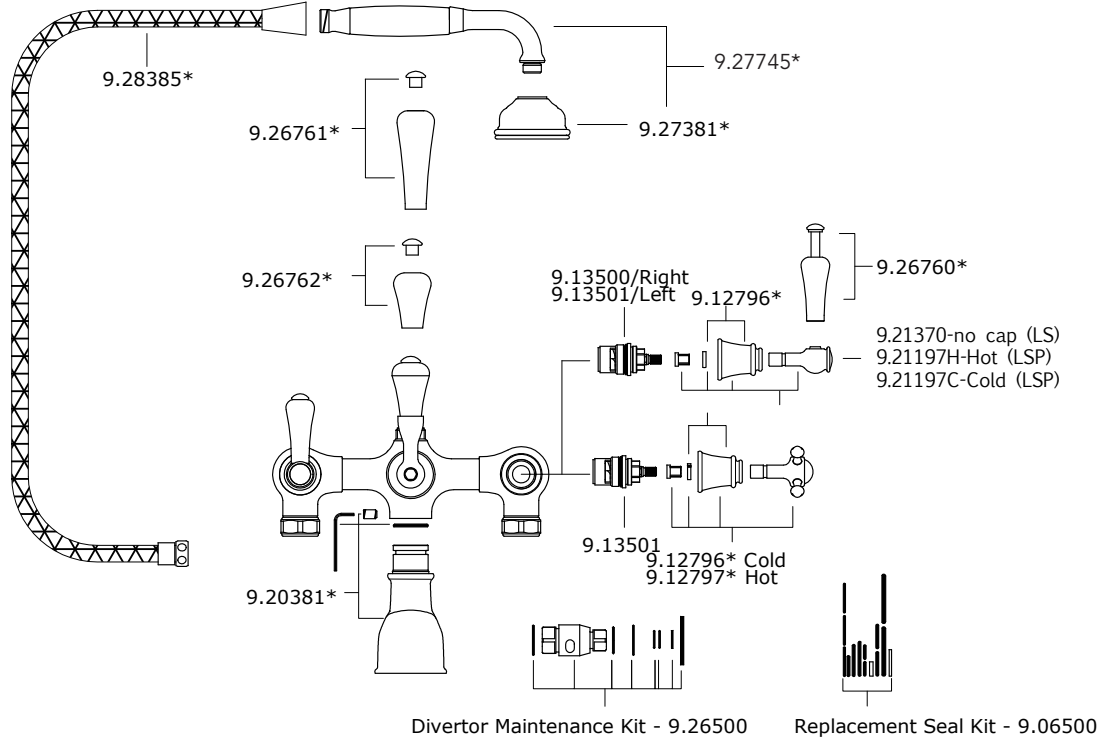
All products supplied by ROHL carry warranties against manufacturing defects.

Perrin & Rowe products carry a Limited Lifetime Warranty.

ROHL LLC will provide free of charge, as its options, replacement part(s) or product (or a comparable alternative product) to replace those which have proven defective in materials or workmanship.

For full ROHL LLC WARRANTY please contact ROHL or visit [www.rohlhome.com](http://www.rohlhome.com)

### SPARES



\* Where indicated please specify color

### SPARE PARTS & SERVICE

**ROHL**  
 Authentic Luxury for Kitchen and Bath™  
 3 Parker  
 Irvine  
 CA 92618  
 (714) 557-1933  
[www.rohlhome.com](http://www.rohlhome.com)

Perrin & Rowe products are manufactured in the UK, using the latest technology and built to the highest quality standards.

We would like to thank you for purchasing a Perrin & Rowe product and take this opportunity to invite you to look at other luxury products by us. Please contact us to receive our latest catalogue.