

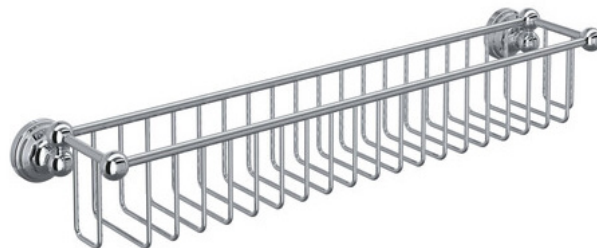
# SPECIFICATIONS

## DESCRIPTION

- Dedicated holder for bar soap and bottles
- 4 1/2" projection

## WARRANTY

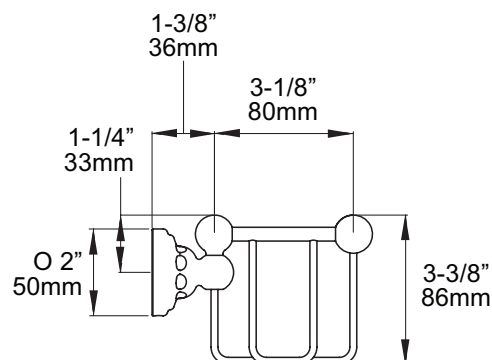
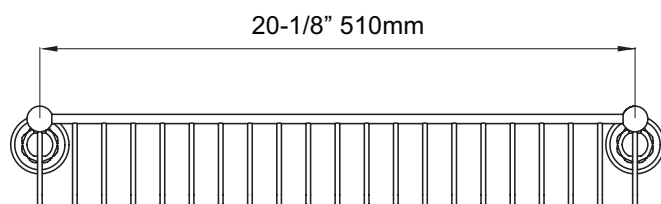
- Consult your local House of Rohl showroom for additional information and specifications. For complete warranty details and a list of showrooms, go to [houseofrohl.com](http://houseofrohl.com)



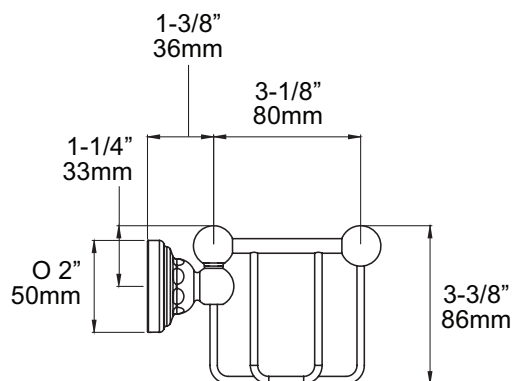
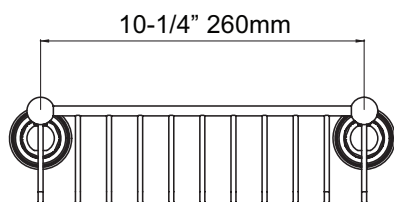
## 20" Bottle Basket 10" Bottle Basket

**MODEL:** U.6951 - 20"  
U.6952 - 10"

U.6951  
20" Bottle Basket



U.6952  
10" Bottle Basket



**For warranty or additional information, contact:**

**US Customers**

U.S.A.  
[houseofrohl.com/support](http://houseofrohl.com/support)  
1-800-777-9762

QUEBEC / MARITIMES / WESTERN CANADA  
[houseofrohl.ca/support](http://houseofrohl.ca/support)  
1-866-473-8442

**Canadian Customers**

ONTARIO  
[houseofrohl.ca/support](http://houseofrohl.ca/support)  
1-800-287-5354