

Cambre Task Wall

KW1131 | 1.0

GENERATION LIGHTING WALL

GENERAL PRODUCT INFORMATION:

These fixtures are intended to be installed utilizing NEC compliant junction boxes. **Use approximately 2"x4" single gang junction box.**

This product is safety listed for damp locations.

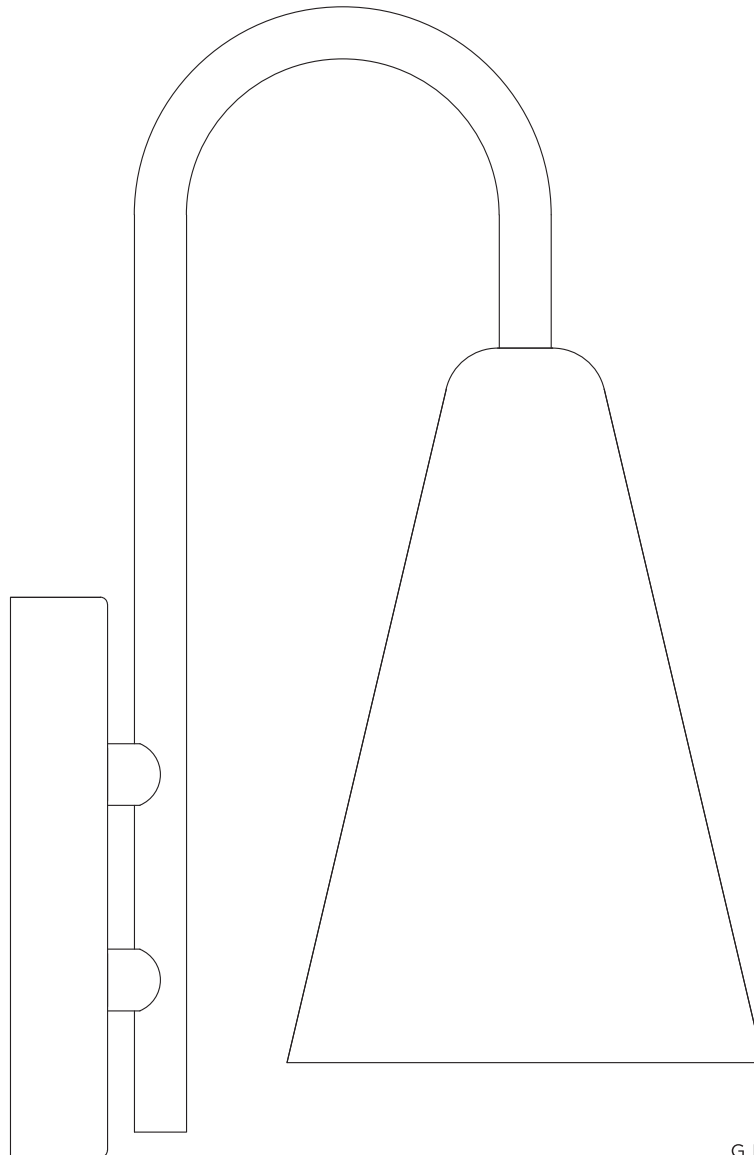
This instruction shows a typical installation.

CAUTION - RISK OF FIRE

This product must be installed in accordance with the applicable installation code by a person familiar with the construction and operation of the product and the hazards involved.

Use minimum 90°C supply conductors.

SAVE THESE INSTRUCTIONS!



GENERATION LIGHTING

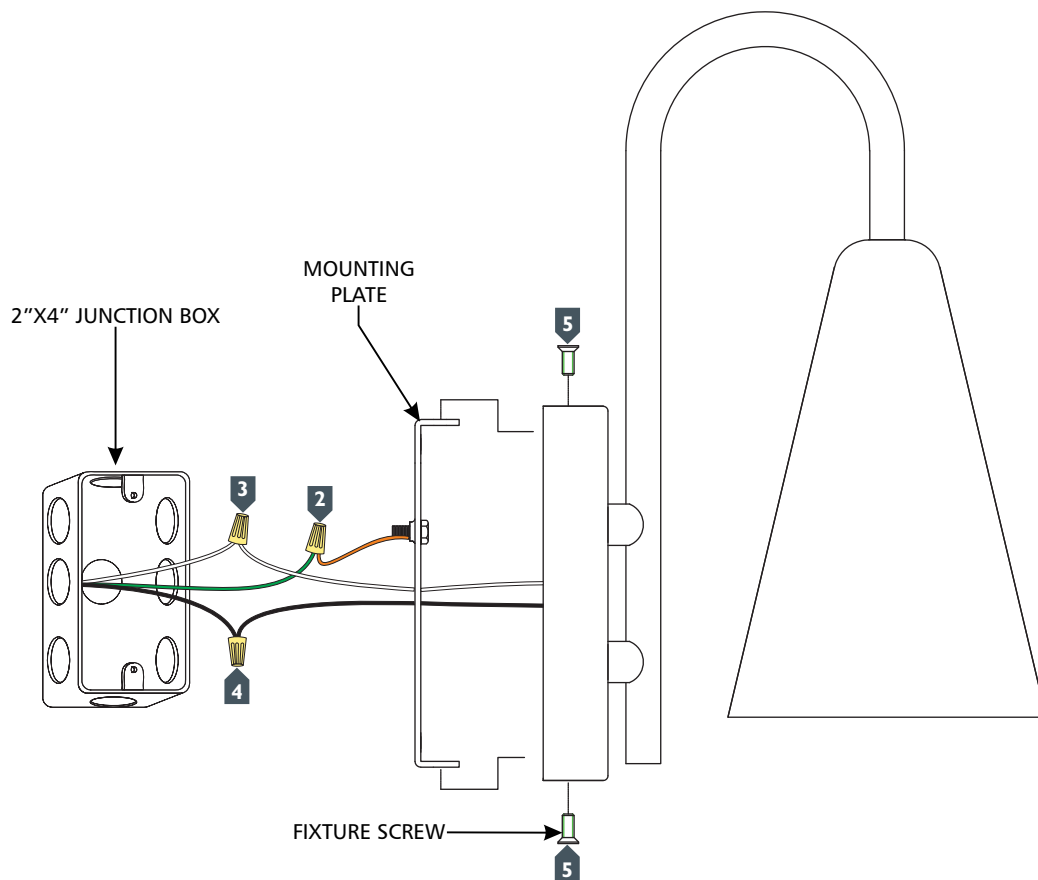
7400 Linder Ave., Skokie, IL 60077

T 847.410.4400 | F 847.410.4500

www.generationlighting.com

Install the Fixture

IA



- 1 Secure the mounting plate to the 2"x4" junction box.
- 2 Connect the fixture to a suitable ground in accordance to local electrical codes.
- 3 Connect the white fixture wire (square and/or rigid) to the neutral power line wire with a wire nut.
- 4 Connect the black fixture wire (round and/or smooth) to the hot power line wire with a wire nut.
- 5 Neatly place all the wires into the junction box, place the fixture base onto the mounting plate, and secure it in place using the fixture screws.