

# Esther Ceiling

LF1044 | 1.0

## GENERATION LIGHTING CEILING

### GENERAL PRODUCT INFORMATION:

These fixtures are intended to be installed utilizing NEC compliant junction boxes.

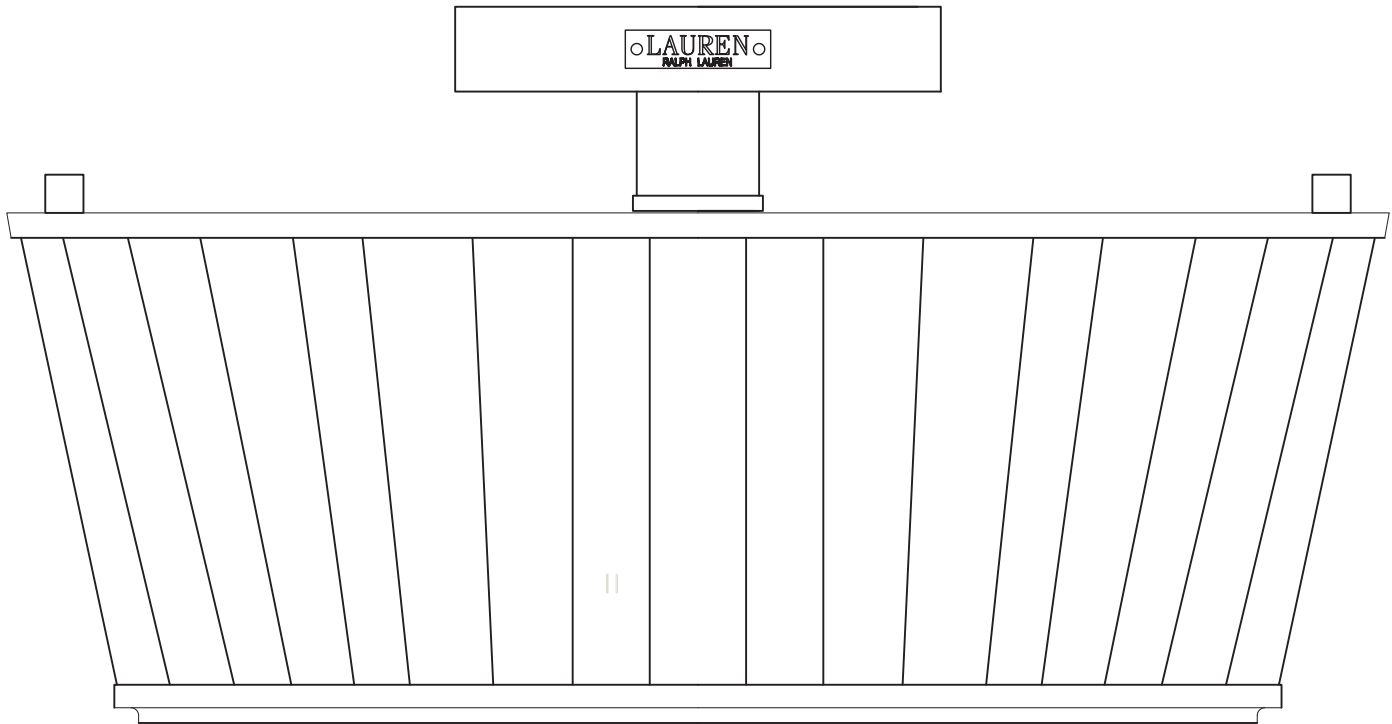
This product is safety listed for damp locations.

Incandescent version may be dimmed with a standard incandescent dimmer. LED version may be dimmed with a LED dimmer. Consult lamp manufacturer for additional information.

This instruction shows a typical installation.

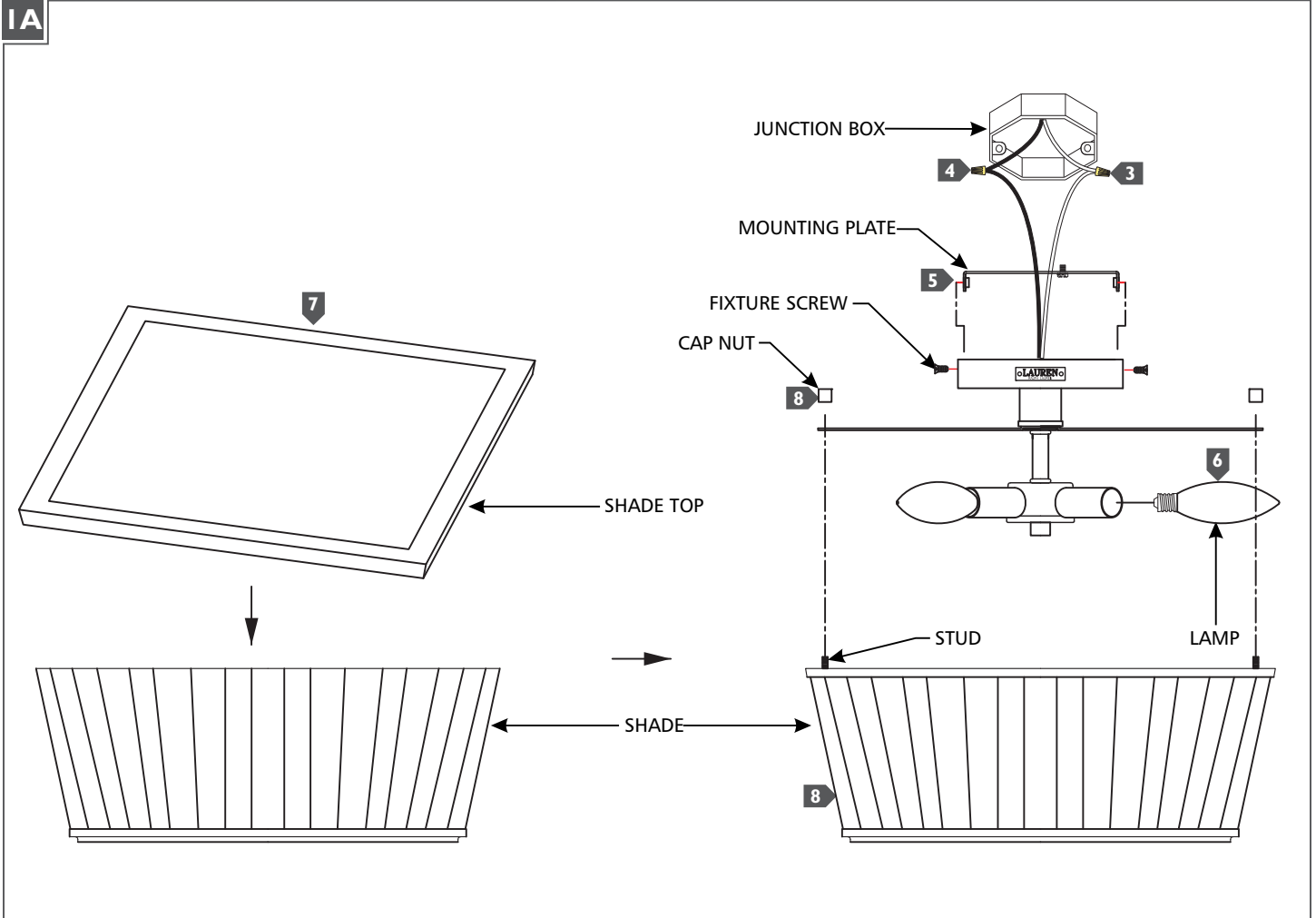
**SAVE THESE INSTRUCTIONS!**

**CAUTION - RISK OF FIRE**  
This product must be installed in accordance with the applicable installation code by a person familiar with the construction and operation of the product and the hazards involved.  
**Use minimum 90°C supply conductors.**



GENERATION LIGHTING  
7400 Linder Ave., Skokie, IL 60077  
T 847.410.4400 | F 847.410.4500  
www.generationlighting.com

# Install the Fixture



- 1 Secure the mounting plate to the junction box.
- 2 Connect the fixture to a suitable ground in accordance with local electrical codes.
- 3 Connect the white fixture wire to the neutral power line wire with a wire nut.
- 4 Connect the black fixture wire to the hot power line wire with a wire nut.
- 5 Neatly tuck the wiring into the junction box, place the fixture base onto the mounting plate and secure it in place with fixture screws.
- 6 Screw the lamps into the sockets. Refer to the label on the socket for max wattage information.
- 7 Place the shade top onto the shade.
- 8 Align the studs on the shade with the holes on the fixture base, then secure them together using the cap nuts.