

Specification Sheets for Contemporary Medicine Cabinets

SPECIFICATION VARIANCES

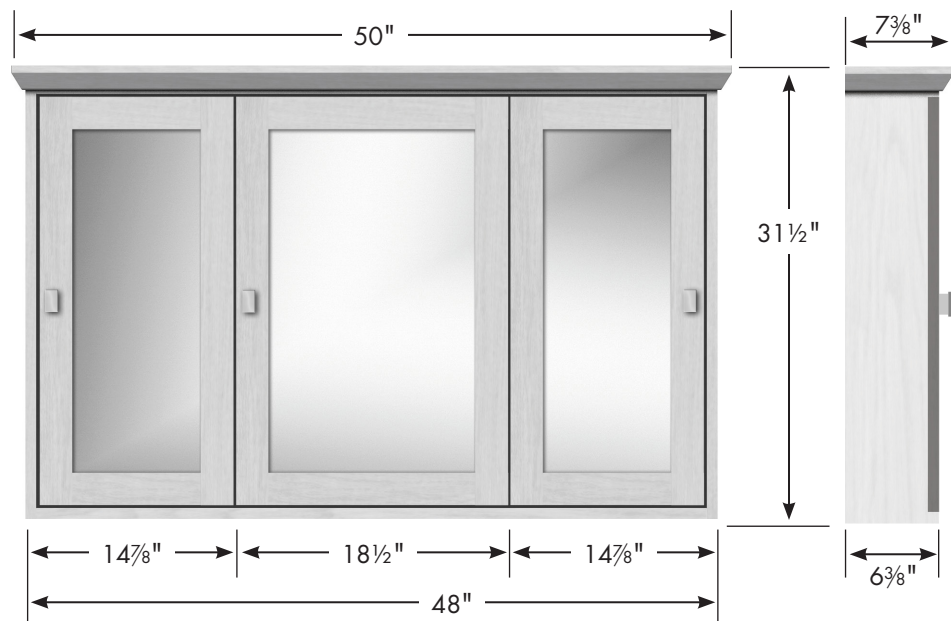
Dimensions on finished cabinets may vary slightly from those shown on these specification sheets due to variability in construction materials.

Our products are engineered to maintain close dimensional tolerances but variability in manufacturing materials can change dimensions slightly (normally within $\pm 1/8$ " but occasionally up to $\pm 3/16$ ").

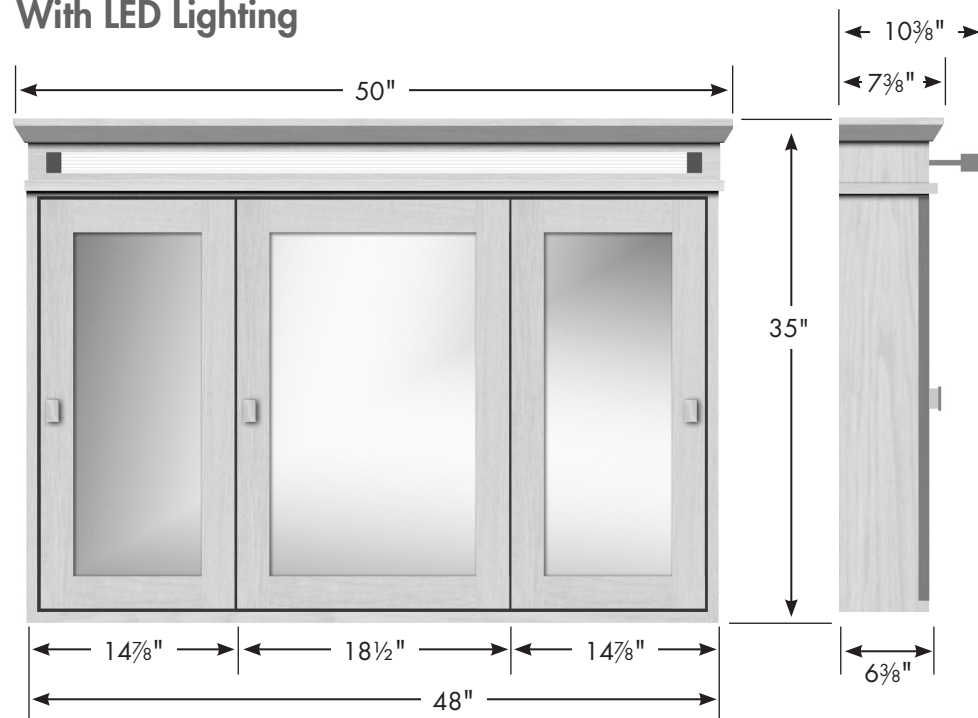
In most applications these slight variations will have no impact upon installation, appearance or function. However, when planning and finishing a space for a built in vanity, **do not frame or finish the space before measuring the actual cabinets in your ensemble!**

We can not be responsible for any expenses incurred as a result of the end user or contractor not following this guideline.

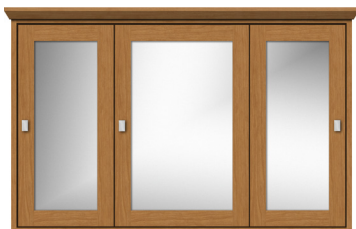
Without Lighting



With LED Lighting

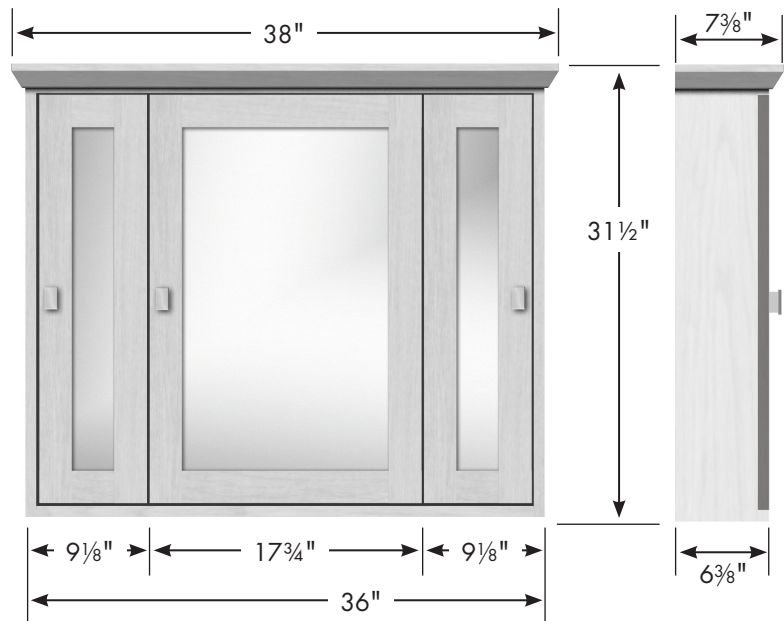


**48" Contemporary
Medicine Cabinet**
48" wide
31 1/2" or 35" (with LED lights) tall
6 3/8" front-to-back

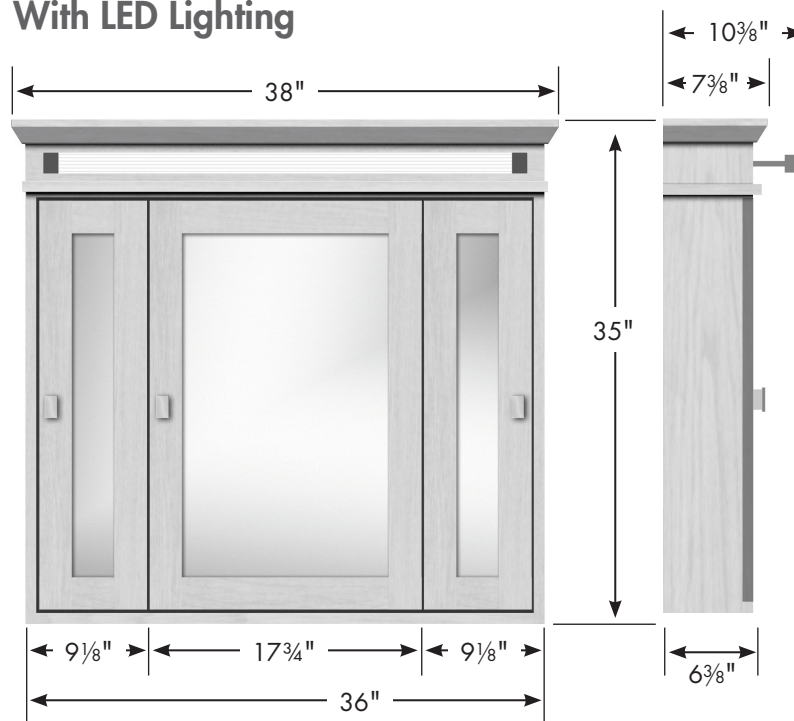


2

Without Lighting



With LED Lighting

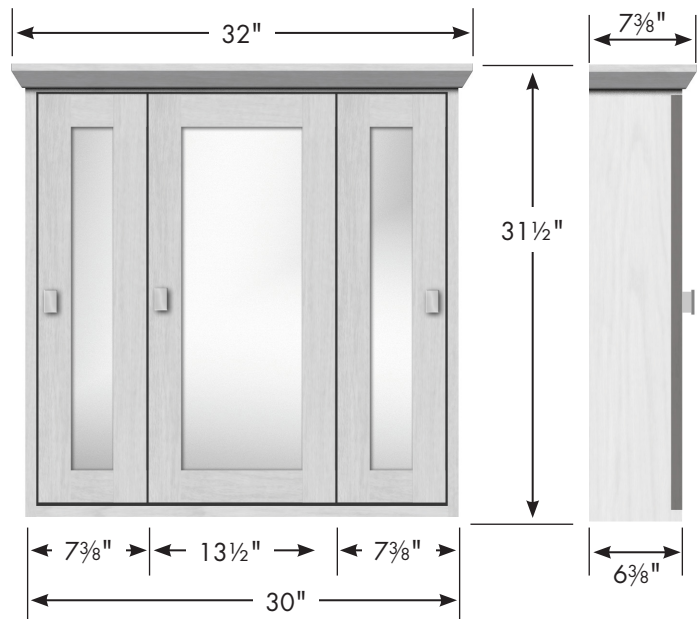


**36" Contemporary
Medicine Cabinet**
36" wide
31 1/2" or 35" (with LED lights) tall
6 3/8" front-to-back

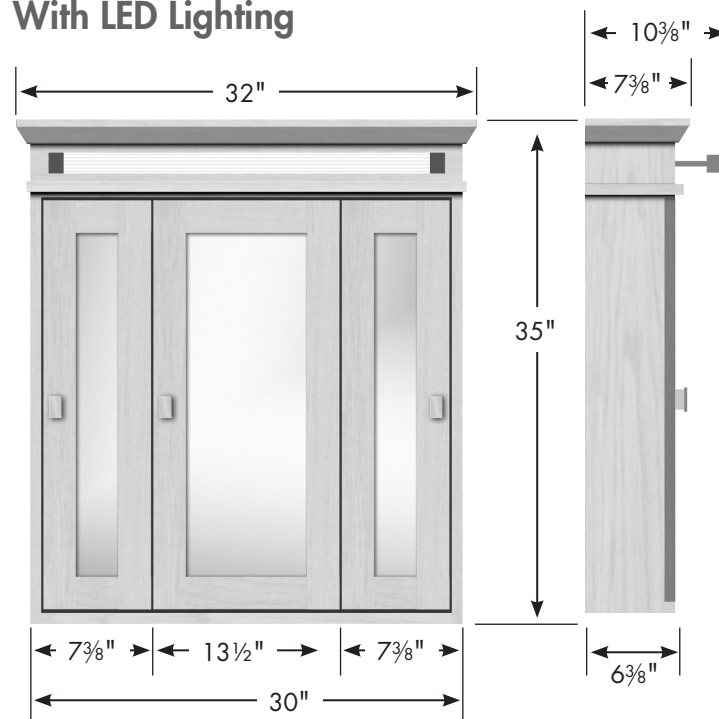


3

Without Lighting



With LED Lighting

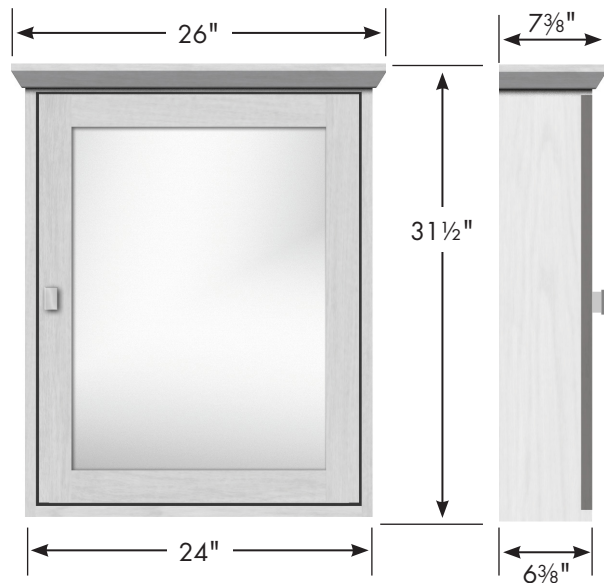


30" Contemporary Medicine Cabinet

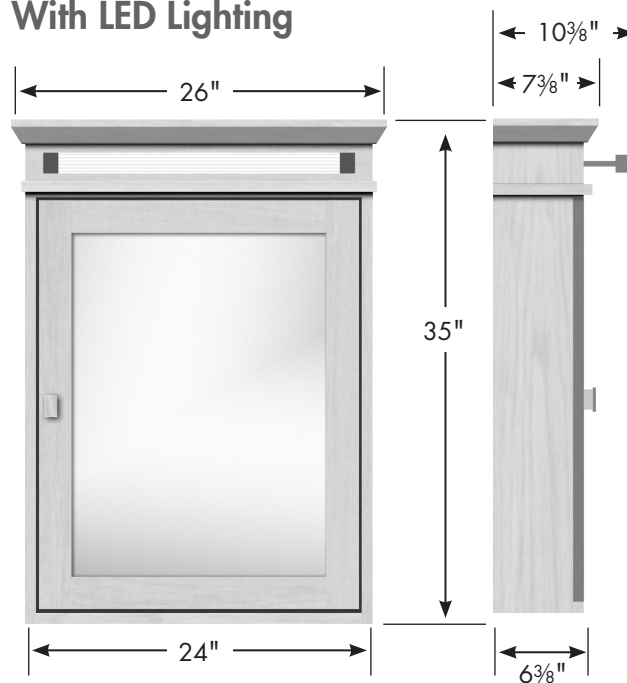
30" wide
31¹/₂" or 35" (with LED lights) tall
6³/₈" front-to-back



Without Lighting



With LED Lighting

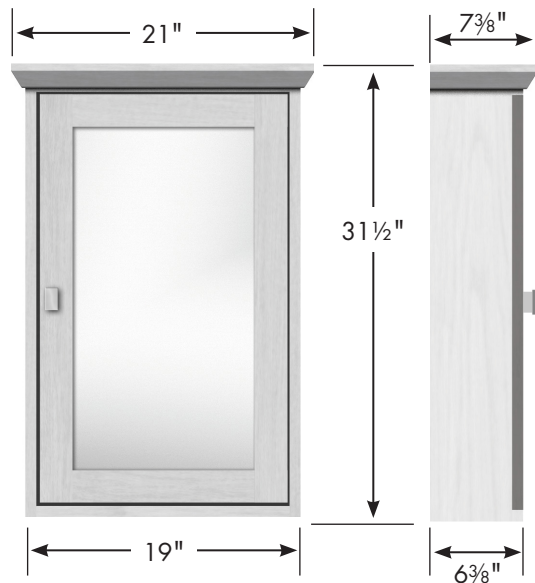


24" Contemporary Medicine Cabinet

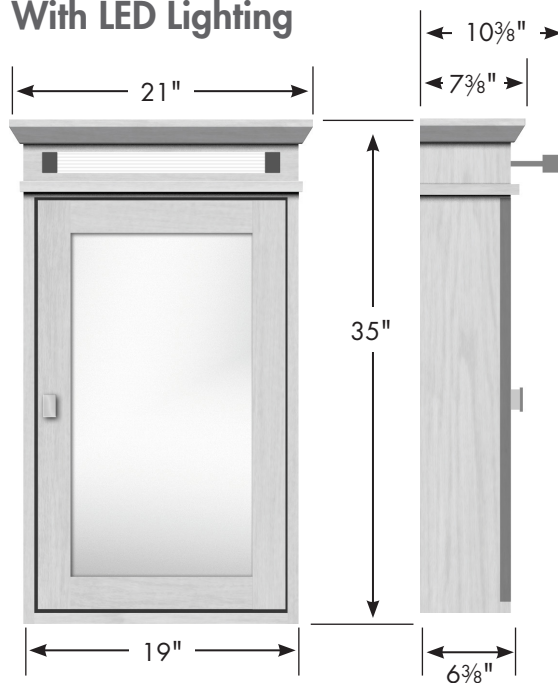
24" wide
31 1/2" or 35" (with LED lights) tall
6 3/8" front-to-back



Without Lighting



With LED Lighting



**19" Contemporary
Medicine Cabinet**
19" wide
31 1/2" or 35" (with LED lights) tall
6 3/8" front-to-back

