

# INSTALLATION INSTRUCTIONS

For Model 72170-189

READ AND SAVE THESE INSTRUCTIONS

**WARNING! SHUT POWER OFF AT FUSE OR CIRCUIT BREAKER.**

**AVERTISSEMENT! COUPER LE COURANT AU NIVEAU DES FUSIBLES OU DU DISJONCTEUR.**

## MOUNTING THE FIXTURE (Fig.1)

1. Shut off power at the circuit breaker and remove the old fixture, including the mounting hardware.
2. Carefully unpack your new fixture and lay out all the parts on a clear area. Take care not to lose any parts necessary for installation.
3. Thread the two studs (L) into the pre-drilled holes in the mounting plate (K) spaced the same distance apart as the holes in the back plate. Note: The length of studs (S) into mounting plate (K) may be adjusted if necessary.
4. Attach the mounting plate (K) to the outlet box (not provided) with screws (M) (Size: 8-32\*1/4") as shown.
5. Align the curved end of scroll arm (C) through the decorative ring (D) and secure the other end to the top cover with screw (A) (Size: M4\*10) hex nut (F), gasket (E) and washer (B).

## CONNECTING ELECTRICAL (Fig.2)

6. Connect the electrical wires as shown in (Fig.2), making sure that all wire connectors are secured. If your outlet has a ground wire (green or bare copper), connect the fixture ground wire to it. Otherwise, connect the fixture ground wire directly to the mounting plate using the green screw provided.
7. To prevent moisture from entering the outlet box and causing a short, use clear caulking (i.e. Indoor/Outdoor Silicone Sealant) to outline the outside of fixture back-plate where it meets the wall leaving a space at bottom to allow moisture a means to escape (Fig3).

## COMPLETING THE INSTALLATION (Fig.1)

8. Align the fixture and reflector (U) to mounting screws (L) (Size: 8-32\*1/2) and secure with cap nuts and washers (V).
9. Place the candle sleeves (O) over the sockets (Q).
10. Install the 2\*60W light bulbs (W) in accordance with the fixtures specification. **(DO NOT EXCEED THE MAXIMUM WATTAGE RATING!)(NE PAS DEPASSER LA PUISSANCE NOMINALE MAXIMALE!)**
11. Align the glass (T) into body (S) and secure with glass clips (P).

Your installation is now complete. Return power to the junction box and test the fixture.

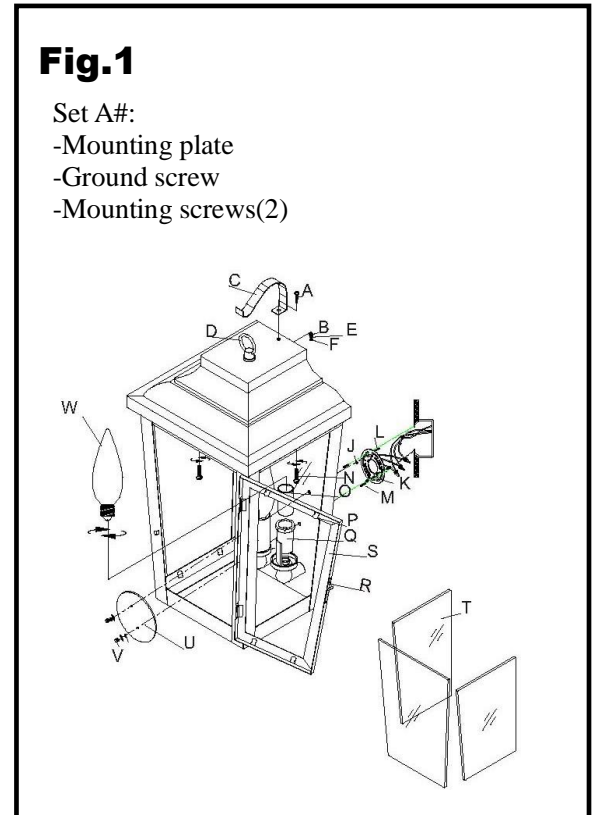


Fig. 2

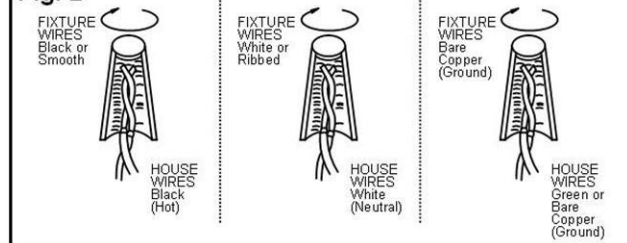
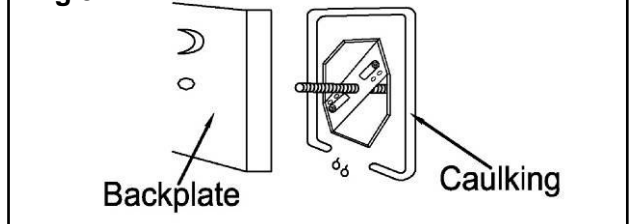


Fig.3



**“CAUTION-RISK OF FIRE CONSULT A QUALIFIED ELECTRICIAN TO ENSURE CORRECT BRANCH CIRCUIT CONDUCTOR”**

**ATTENTION - RISQUE D'INCENDIE, CONSULTER UN ÉLECTRICIEN QUALIFIÉ POUR VOUS ASSURER QUE LES CONDUCTEURS DE LA DÉRIVATION SONT ADÉQUATS.**

