

INSTALLATION INSTRUCTIONS

Model # 72176-189

READ AND SAVE THESE INSTRUCTIONS

WARNING! SHUT POWER OFF AT FUSE OR CIRCUIT BREAKER.

AVERTISSEMENT! COUPER LE COURANT AU NIVEAU DES FUSIBLES OU DU DISJONCTEUR.

PREPARING FOR INSTALLATION (Fig. 1)

1. Shut off power at the circuit breaker and remove the old fixture including the mounting hardware.
2. Carefully unpack your new fixture and lay out all the parts in a clear area. Take care not to misplace any small parts necessary for installation.

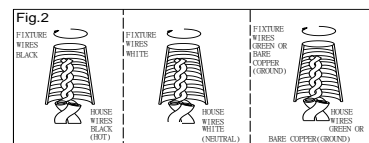
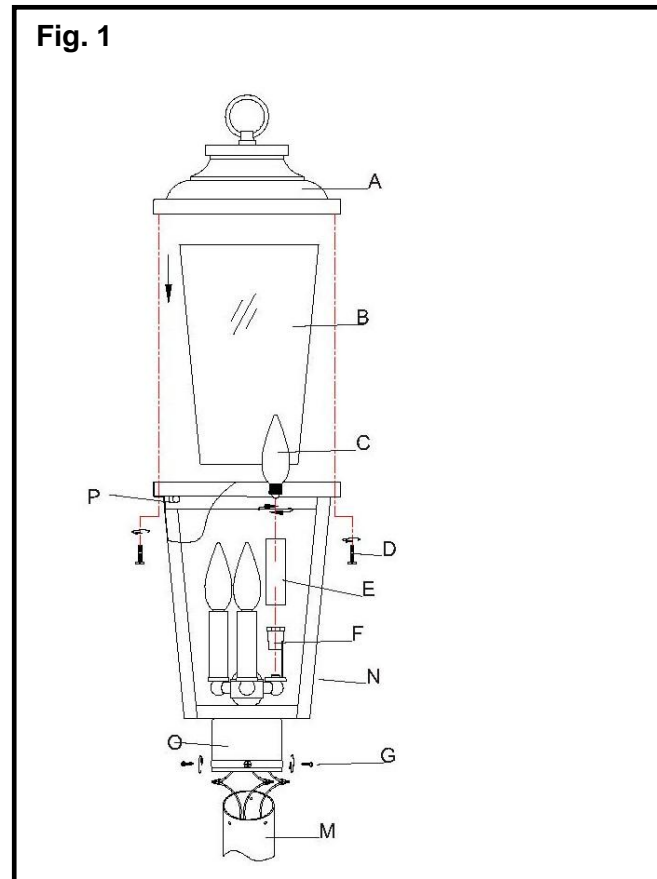
CONNECTING THE WIRES (Fig. 2)

3. Connect electrical wires while supporting the lantern. If your post has a ground wire (green or bare copper), connect the fixture ground wire to it. If not, consult your electrician for proper grounding. After wires are connected, tuck them carefully inside the cup (O).
4. Align the lantern with post (M) and secure with screws (G) (Size:M4*8) . (Fig.1&2)

COMPLETING THE INSTALLATION (Fig. 1)

5. Remove top cover (A) by unscrewing screws (D) (Size: M4*16). Align the glass (B) into body (N) and secure with glass clips (P).
6. Place candle sleeves (E) over sockets (F).
7. Install the 3*60w bulbs (C) in accordance with the fixture's specification. **(DO NOT EXCEED THE MAXIMUM WATTAGE RATING!)(NE PAS DEPASSER LA PUISSANCE NOMINALE MAXIMALE!)**
8. Re-attach top cover (A) to fixture body (N) with mounting screws (D). (Size: M4*16)

Your installation is now complete. Return power to and test the fixture.



“CAUTION-RISK OF FIRE CONSULT A QUALIFIED ELECTRICIAN TO ENSURE CORRECT BRANCH CIRCUIT CONDUCTOR”

ATTENTION – RISQUE D’INCENDIE, CONSULTER UN ÉLECTRICIEN QUALIFIÉ POUR VOUS ASSURER QUE LES CONDUCTEURS DE LA DÉRIVATION SONT ADÉQUATS.

