

# INSTALLATION INSTRUCTIONS

Model # 8995/8996

READ AND SAVE THESE INSTRUCTIONS

**WARNING! SHUT POWER OFF AT FUSE OR CIRCUIT BREAKER.**

**AVERTISSEMENT! COUPER LE COURANT AU NIVEAU DES FUSIBLES OU DU DISJONCTEUR.**

## PREPARING FOR INSTALLATION (Fig. 1)

1. Shut off power at the circuit breaker (avertissement! couper le courant au niveau des fusibles ou du disjoncteur) and remove the old fixture including the mounting hardware.
2. Carefully unpack your new fixture and lay out all the parts in a clear area. Take care not to misplace any small parts necessary for installation.

## CONNECTION THE WIRES (Fig. 2)

3. Connect the electrical wires while supporting the lantern. If your post has a ground wire (green or bare copper), connect the fixture ground wire to it. If not, consult your electrician for proper grounding. After wires are connected, tuck them carefully inside the post cup (I). Align the lantern with post (J) and secure with screws (H) ( Part#8/32"\*3/8"L). (Fig.1&2)

## FINISHING THE INSTALLATION (Fig.1)

4. At this point, remove screws (K), finial (A), washer (B), cover (C), nipple (D), cover (E) and the top cover (F) to install 2\*60W E12 bulbs (for 8995) or 3\*60W E12 bulbs (for 8996) in accordance with the fixture specification –**DO NOT EXCEED THE MAXIMUM WATTAGE RATING! (NOTE: NO BULB INCLUDED) (NE PAS DEPASSER LA PUISSANCE NOMINALE MAXIMALE!)**
5. If you need to replace glass shade (L), remove screws (K) and decorative knob (M). Raise the cluster cover (N). Unplug the male and female jacket (O). Remove cluster cover (N). Replace the glass shade (L). Plug the male and female jacket (O). Replace cluster cover (N). Screw the decorative knob (M) and then install 2\*60W bulbs (for 8995) or 3\*60W E12 bulbs (for 8996) in accordance with the fixture specification –**DO NOT EXCEED THE MAXIMUM WATTAGE RATING! (NOTE: NO BULB INCLUDED) (NE PAS DEPASSER LA PUISSANCE NOMINALE MAXIMALE!)**
6. Replace the top cover (F) cover (E), nipple (D), cover (C), washer (B) and secure with finial (A) and screws (K).

Your installation is now complete. Return power and test the fixture.

Fig. 1

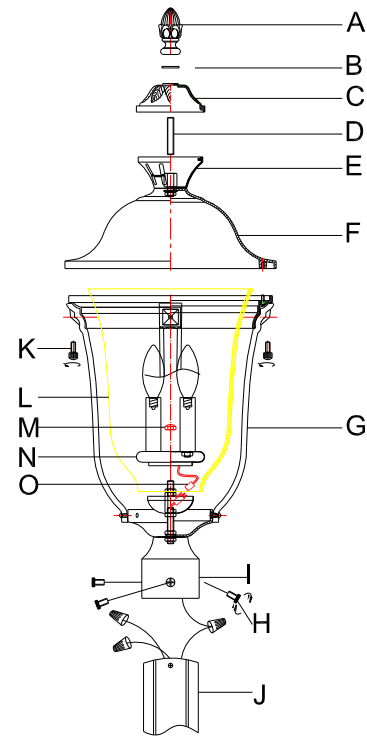
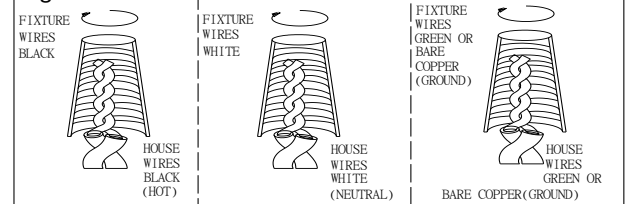


Fig.2



U.S. Patent: D455, 515

This product is protected by United States Federal and/or State Law, including Patent and/or Copyright laws.

© Minka Lighting Inc.

