

# Ideal WashStation™ 30S

IWA 30S BA



Natural Golden Bamboo

IWA 30S GT



Graphite Wood Composite

IWA 30S WH



Designer White Resin\*

IWA 30S GR



Exclusive Gray Resin\*

## Specifications

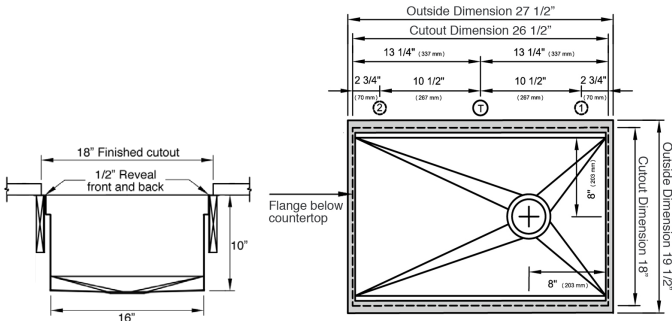
Single bowl  
 Users: 1  
 Wash Tools included: Three (6 pcs)  
 Galley Tap recommended: One  
 Outside dimensions: 27 1/2" x 19 1/2" x 10 5/16"  
 Counter top cutout: 26 1/2" x 18"  
 Basin area: 26" x 16"  
 Minimum cabinet size: 30" or 76cm

## Wash Tools included

- (1) Upper Tier Drying Rack 12 1/4" x 18"
- (1) Lower Tier Mini Drying Rack 6" x 17"
- (1) Lower Tier Utensil Caddy 6" x 17"

## Basin construction

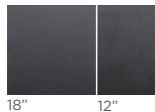
16GA 316L stainless steel indoor/outdoor  
 Angel finish  
 Two tier design  
 Star™ groove pattern  
 Reversible side drain  
 Elevated drain cover included  
 Limited Lifetime Warranty  
 Made in the USA  
 ASME A112.19.3/CSA B45.4 certified



Suggested maximum inside corner radius of counter top cutout 3/8"  
 Center Tap hole diameters 2" behind cutout  
 T. Galley Tap 1 3/8" min hole diameter (1 1/2" min hole diameter for fast water jet cut)  
 1. Galley Deck Switch 1 3/8" min hole diameter or Galley Automatic Strainer Basket knob 1" min and 1 3/8" max hole diameter  
 2. Galley Hot and Cold Water Dispenser 1 3/8" min hole diameter (1 1/2" min hole diameter for fast water jet cut) or Galley Soap Dispenser 1" min to 1 3/8" max hole diameter  
 3. Galley Soap Dispenser  
 \*Galley Hot and Cold Water dispenser requires a minimum 8" clearance to center if installed to the right of the Galley Tap

## Upper Deck™ (Optional)

Upper Deck set UD 30 2P GT/BA/WH/GR Graphite, Bamboo, White or Gray Resin



Upper Deck sections Graphite, Bamboo, White or Gray Resin



## Recommended Workstation Accessories

Bottom Grate set BG 30 S 1 SS Stainless Steel



Manual Strainer Basket  
 MDRNMSS Angel Finish Stainless Steel



Disposal Flange Strainer Basket  
 GDRNMSS Angel Finish Stainless Steel



Auto Strainer Basket Angel Finish Stainless Steel with Polished or Matte knob



ADRNPSS  
 ADRNMSS