

# R2RPT, R2SPT

2" Volta - Pinhole Trim

# WAC LIGHTING

Responsible Lighting®



Fixture Type:

Catalog Number:

Project: \_\_\_\_\_

Location: \_\_\_\_\_

## PRODUCT DESCRIPTION

Volta LED downlight series represents an innovation in design and technology for architectural lighting. This high lumen and adaptable family of fixtures with a comprehensive set of round and square fittings, affords a sustainable solution for commercial, corporate, and upscale residential applications.

## FEATURES

- Center beam alignment retained throughout adjustment range
- 0-30° vertical and 365° horizontal lockable hot aiming
- Indexed vertical scaling for precise and accurate alignment
- Integral patterned tempered trim lens included standard
- Compatible with a wide range of accessories
- 5 year WAC Lighting product warranty

## SPECIFICATIONS

**Construction:** Durable die-cast self-flanged aluminum construction

**Input:** Universal 120 - 277V AC 50/60 Hz

**Dimming:** Electronic Low Voltage (ELV): 100%-5%  
0-10V: 100-0%  
Lutron Hi-Lume 1% Ecosystem Fade-to-Black option

**Light Source:** High output 3-step Mac Adam Ellipse COB  
Rated life of 50,000 hours at L70

**Mounting:** Heavy gauge retention clips support trim firmly. Safety cabling standard.  
Ceiling cut out Round Trimmed: Ø 3 3/16" Invisible Trim: Ø 4 1/4"  
Ceiling cut out Square Trimmed: 3 3/16" x 3 3/16" Invisible Trim: 4 1/4" x 4 1/4"  
Accommodates 1/2" - 1 1/2" ceiling thickness

**Finish:** Electrostatically powder coated White, Black. Enamel coated Haze. Plated and brushed Copper Bronze.

**Standards:** ETL & cETL Wet location Listed

Model	Beam	Lumens Reference	CBCP Output*	Color Temp	CRI	Finishes	Reflector/Trim
<p><b>R2RPT</b> Round Trim <b>R2SPT</b> Square Trim</p>	S 12°	Round 235	3380	<b>827</b> 2700K 85	<b>BK</b> <b>CB</b> <b>HZ</b> <b>WT</b>	Black/Black Black/Copper Bronze Black/Haze Black/White	
		Square 285	4780	<b>830</b> 3000K 85 <b>835</b> 3500K 85 <b>840</b> 4000K 85			
	N 20°	Round 555	4805	<b>927</b> 2700K 90			
		Square 720	5340	<b>930</b> 3000K 90			

R2\_PT-\_\_\_\_\_ - \_\_\_\_\_

Example: **R2RPT-N930-WT**

\*Reference output shows **830**(85CRI 3000K) trim with **22** housing. Use multiplier table below to determine the output for other combinations.

Multiplier	TRIM					
	827	927	830	930	835	840
<b>HOUSING 22</b>	0.95	0.81	1.00	0.86	1.05	1.07
<b>HOUSING 15</b>	0.66	0.56	0.69	0.59	0.72	0.74

Example: **R2SPT-N840-WT** with **15** housing: 720 lm (Reference Output) x 0.74 (Multiplier) = 533 lm

5340 CBCP (Reference Output) x 0.74 (Multiplier) = 3952 CBCP

Please see next page for housing units(required)

wacighting.com  
Phone (800) 526.2588  
Fax (800) 526.2585

Headquarters/Eastern Distribution Center  
44 Harbor Park Drive  
Port Washington, NY 11050

Central Distribution Center  
1600 Distribution Ct  
Lithia Springs, GA 30122

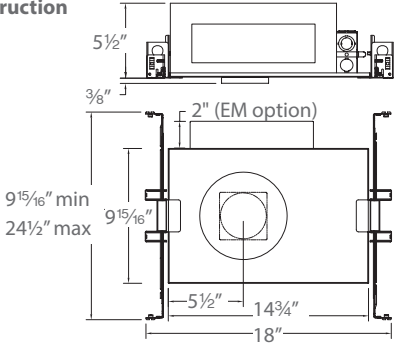
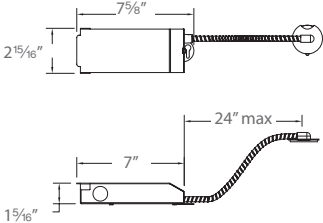
Western Distribution Center  
1750 Archibald Avenue  
Ontario, CA 91760

# R2RPT, R2SPT

## 2" Volta - Pinhole Trim

# WAC LIGHTING

Responsible Lighting®

HOUSING (Required)	Model	Trim	Power	Driver	Emergency Backup
<b>New Construction Airtight IC</b> 	<b>R2RN</b> <i>Round</i> <b>R2RC</b> <i>Round Chicago Plenum</i> <b>R2SN</b> <i>Square</i> <b>R2SC</b> <i>Square Chicago Plenum</i>	<b>T</b> Trim <b>L</b> Invisible Trim	<b>15</b> 15W IC <b>22</b> 22W IC	<b>DEFAULT L1</b> ELV, 0-10V Lutron Hi-Lume 1%	<b>EM</b> Optional
<b>Remodel Non-IC</b> 	<b>R2BR</b>	<b>T</b> Trim	<b>15</b> 15W Non-IC <b>22</b> 22W Non-IC	<b>DEFAULT</b> ELV, 0-10V	N/A

### R2 \_\_\_\_\_ - \_\_\_\_\_

Example: **R2RNT-15** or **R2RNT-15EM** (with Emergency backup battery)

### WOOD AND METAL CEILING ADAPTERS

Round

- R2R-ADP1** 1/2" to 1" ceiling thickness
- R2R-ADP2** 1" to 1 1/2" ceiling thickness

Square

- R2S-ADP1** 1/2" to 1" ceiling thickness
- R2S-ADP2** 1" to 1 1/2" ceiling thickness

### FIELD CHANGEABLE GLARE CONTROL AND OPTIC SYSTEM

Accessory holder  
 Holds up to two lenses or one lens and one glare control

Optical cartridge  
 Allows tool-less exchange of reflectors



Trim

Honeycomb Louver

Color Lens

Reflector

For narrow flood, flood, and wide flood (Spot distribution features dedicated module)

Light engine

### ACCESSORY HOLDER sold separately

**LENS-16-HLD** Required for use with any lens or accessory

### GLARE CONTROL ACCESSORIES

**LENS-16** **HCM** Honeycomb Louver  
**CRL** Cross Louver

### INTERCHANGEABLE REFLECTORS

**REF-R2-N** Narrow Flood beam  
**REF-R2-F** Flood beam  
**REF-R2-W** Wide beam

### LENS ACCESSORIES

**LENS-16** **AMB** Amber  
**RED** Red  
**FR** Frosted  
**SPR** Spread  
**BEL** Beam Elongating

wacighting.com  
 Phone (800) 526.2588  
 Fax (800) 526.2585

Headquarters/Eastern Distribution Center  
 44 Harbor Park Drive  
 Port Washington, NY 11050

Central Distribution Center  
 1600 Distribution Ct  
 Lithia Springs, GA 30122

Western Distribution Center  
 1750 Archibald Avenue  
 Ontario, CA 91760