

Installation Instructions

for Traditional Style Wall Mounted Pot Fillers



The 9-7.8-TR24 will be used as an example in this manual.
Applicable for all traditional style 7.8 models.

IMPORTANT INFORMATION

Thank you for choosing Watermark! We appreciate your commitment to Watermark quality products. Before you install the product, please fully review these installation instructions.

Before installation, unpack the product and inspect it for any damage. Make sure all the parts are present. If not installing immediately, place the product back into its protective packaging.

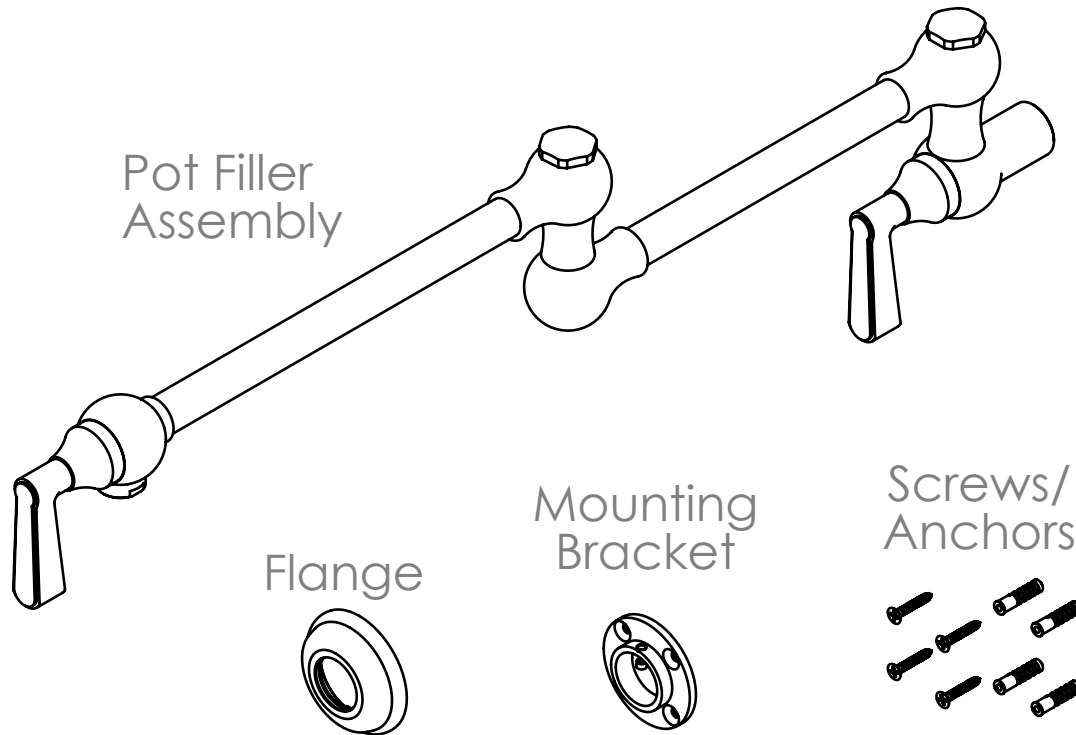
The appearance of the product may be different than what is shown in this installation manual, but the installation procedure will be the same.

Installation considerations:

- Professional installation by a licensed plumber is strongly recommended.
- Product should be installed according to local codes and regulations.
- When installing:
 - Use Teflon tape or pipe sealant for threaded connections.
 - DO NOT use plumber's putty on any brass components. This may cause the finish to tarnish and void the warranty. Alkoxy silicone is recommended instead.
 - Flush the lines before and after installation (if applicable).
 - If the lines are sweated, do not overheat casting, which may damage mechanisms.
- Copper adaptors may be required to complete installation.

If you encounter any issues, please contact our technical support team at the number listed at the bottom of this page or email us at: technical@watermark-designs.com

PARTS BREAKDOWN



You will need:

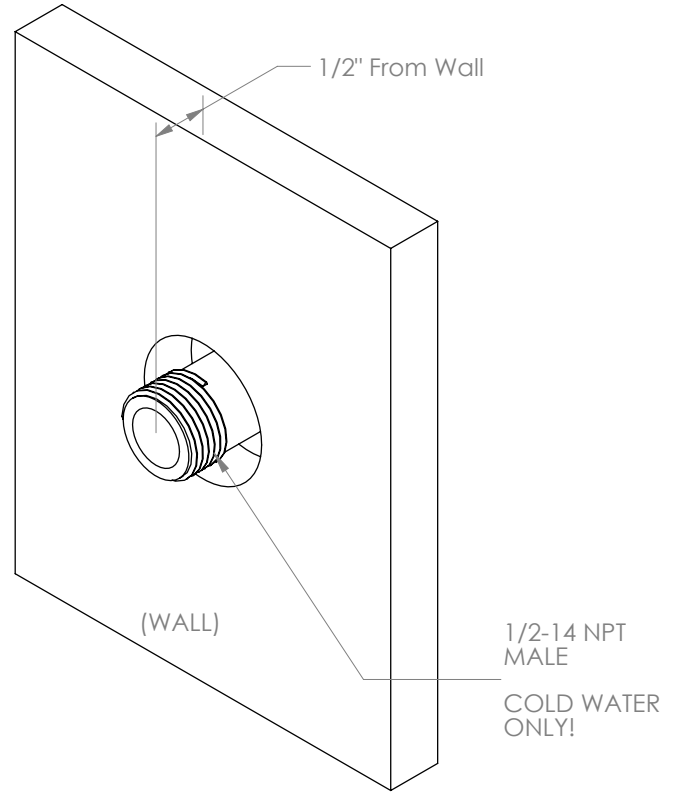
- 1 x Wrench
- 1 x Screwdriver
- 1x Drill & Drill Bits
- Teflon Tape

1. Prepare the mounting wall

Ensure that the supply nipple follows the diagram shown:

The 1/2-14" NPT supply nipple should extend 1/2" from the wall.

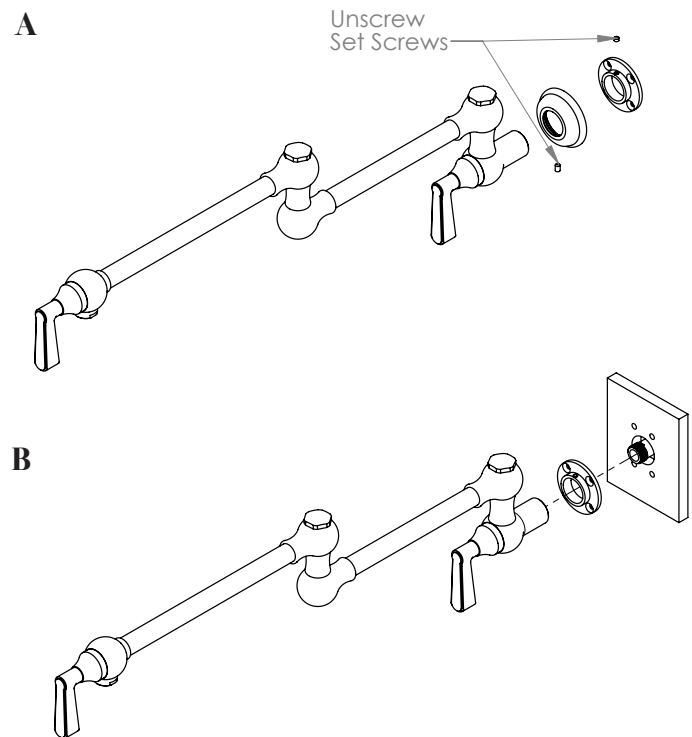
The pot filler should only be used with cold water only to prevent hot water burns.



2. Prepare the mounting bracket (1)

[A] Unscrew the set screws from the flange and mounting bracket.

[B] Place the mounting bracket against the wall, then screw the pot filler onto the supply nipple.



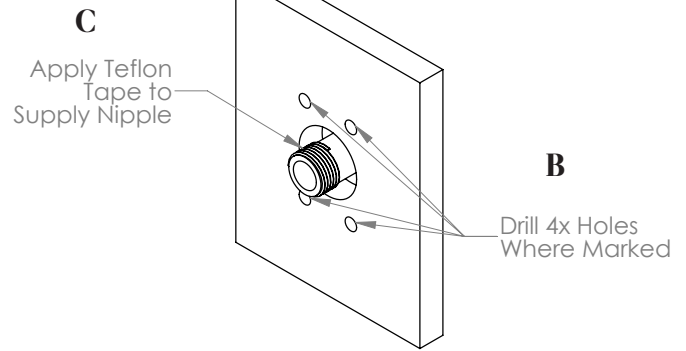
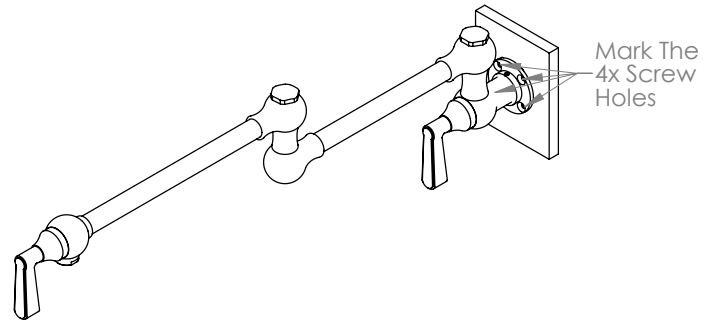
3. Prepare the mounting bracket (2)

[A] Mark the screw hole positions onto the wall. Then unthread the pot filler and remove the mounting bracket.

[B] Drill 4x 3/8" pilot holes where marked in step 3A.

[C] Apply several layers of teflon tape on the thread of the supply nipple.

A

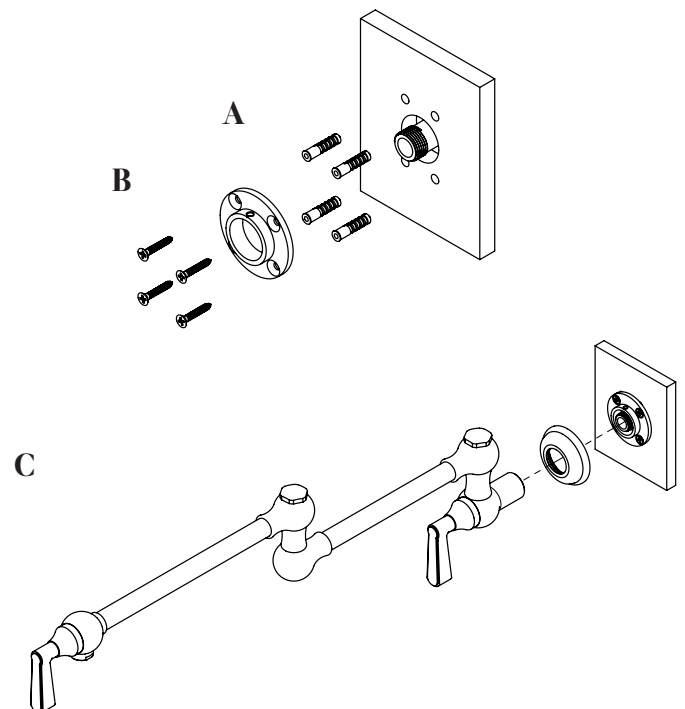


4. Install the mounting bracket and pot filler

[A] Insert 4x wall anchors into the pilot holes made in step 3B.

[B] Screw in 4x wood screws through the screw holes on the mounting bracket and into the wall anchors, securing the mounting bracket against the wall.

[C] Insert the pot filler through the flange and screw it onto the supply nipple. Tighten it until it is in the desired upright position.

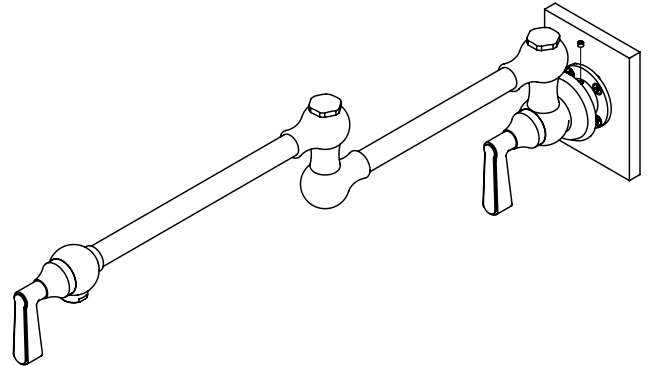


5. Secure the pot filler

[A] Thread the set screw onto the mounting bracket and tighten.

[B] Slide the flange until it rests against the wall and covers the mounting bracket. Thread the set screw onto the flange and tighten.

A



B

