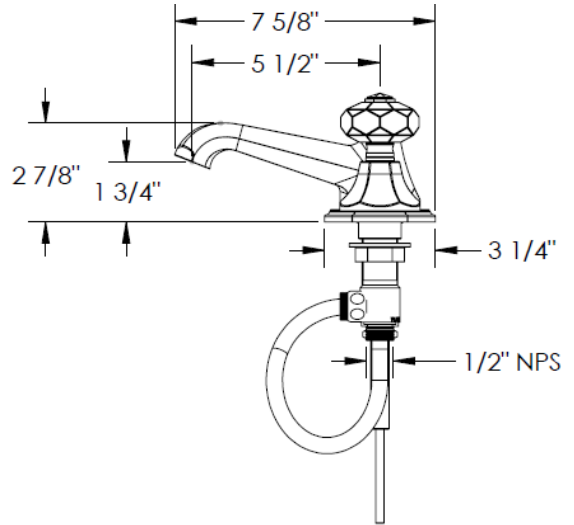
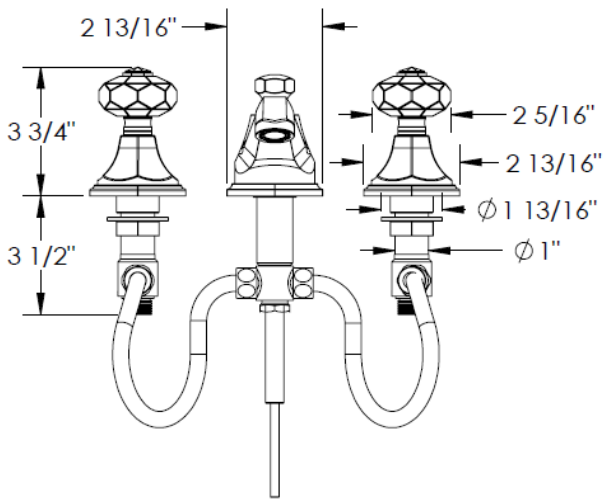


FEATURES

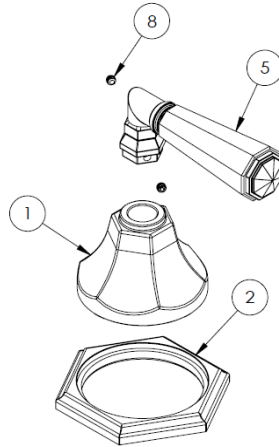
- ¼ turn washerless ceramic disc valve cartridges
- Flexible hose connection for 8" to 16" spread installations
- Flow rate 1.5 gpm (5.7 lpm) maximum flow rate
- Solid brass construction
- Listed by IAPMO, CSA, NSF, and other municipalities
- Warranty:
 - Limited lifetime warranty (residential use)
 - One year (commercial use)
- Shipping weight (lbs.) 10
- Shipping dimensions (in.): 29x12x4



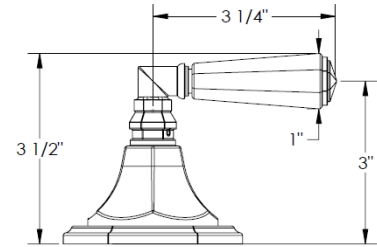
ITEM NO.	PART NUMBER	QTY.
1	312-2-SPOUT	1
3	314-2 Escutcheon	1
4	NEOPERL CACHE REGULAR	1
7	172 BRASS WASHER	1
8	501 HEX NUT	1
10	501-LIFT-ROD	1
11	502 T GASKET	1
12	502-TEE	1
13	502 LOCK NUT	1
14	O-018 O-RING	1
16	502 FLEX HOSE	2
17	142-LOCK-NUT	4
18H/18C	SS-502 Valve Body	2
19H/19C	SS-502 Cartridge	2

HANDLE TRIMS

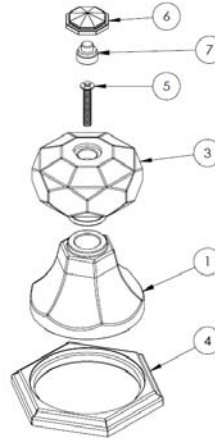
Roosevelt (Code: CRY4)



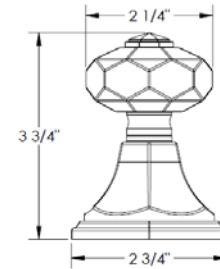
ITEM NO.	PART NUMBER	QTY.
1	X-ESC	1
2	XX-ESC-RING	1
5	CRY4-CRSTL-LVR-INSRT	1
8	SSCUPSKT 0.164-32x0.125-HX-S	2



Marmont (Code: CRY5)



ITEM NO.	PART NUMBER	QTY.
1	X-ESC	1
3	CRY5-CRSTL-KNOB	1
4	XX-ESC-RING	1
5	CR-FHM1 0.164-32x1x1-S	1
6	CRY4-LVR-END	1
7	CRY5-CAP-INSRT	1



IMPORTANT INSTALLATION INFORMATION

- USE TEFLON TAPE OR PIPE SEALANT FOR THREADED CONNECTIONS
- DO NOT USE PLUMBER'S PUTTY ON ANY OF THE BRASS COMPONENTS
This will cause the finish to tarnish and void the warranty. A non-corrosive Alkoxy Silicone is recommended.
- DURING SWEATING OF LINES DO NOT OVERHEAT CASTING
Overheating may cause damage to internal mechanism
- COPPER ADAPTORS MAY BE REQUIRED TO COMPLETE YOUR INSTALLATION

For technical support, please call 718-257-2800

Rev. 1/1