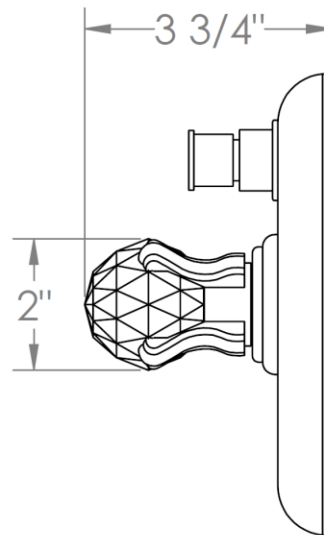
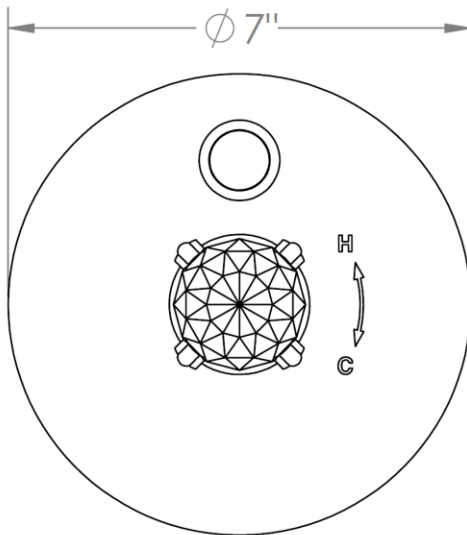


**201-P90-R2**

Trim Kit Only for Pressure Balance Valve with Diverter  
Requires SS-PB85 concealed rough



**WATERMARK DESIGNS 2/4/2019**