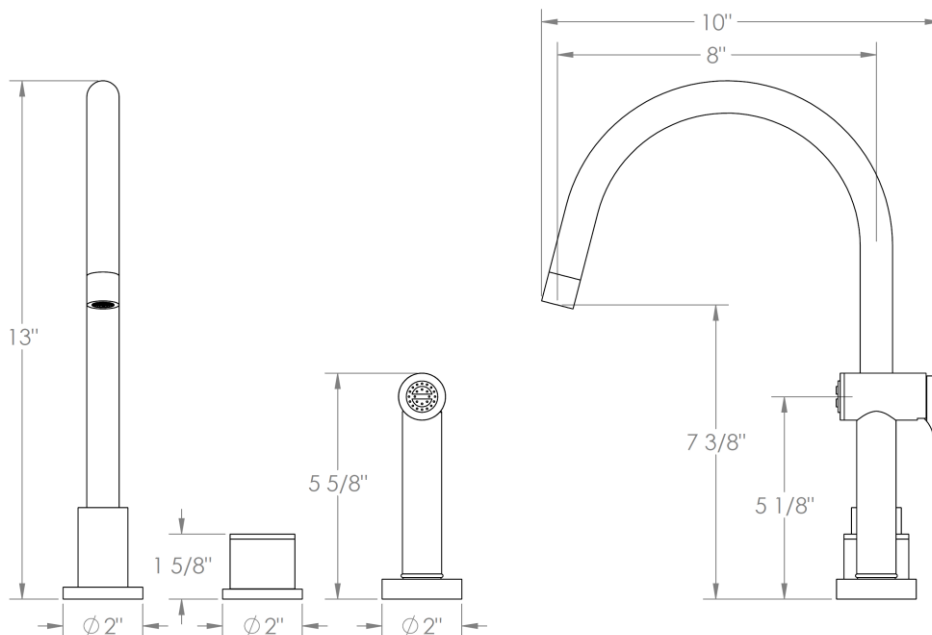


**22-7.1.3GA-TIA**

Deck Mounted 3 Hole Gooseneck Kitchen Set

Includes Side Spray

Side Spray Flow Rate: 1.75 GPM



Meets the applicable requirements of ASME A112.18.1-2005/CSA B125.1-05, entitled "Plumbing Supply Fittings"