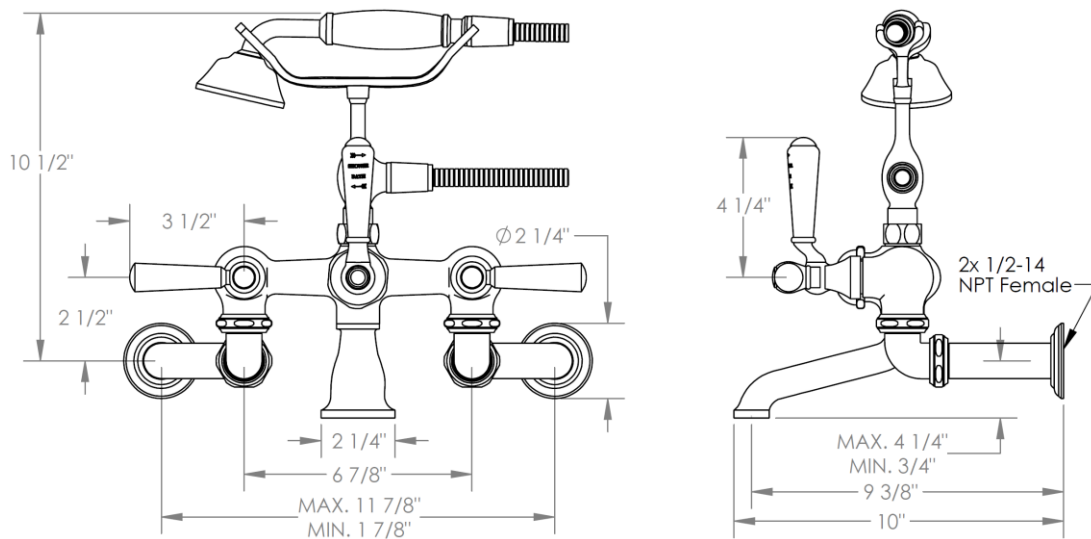


313-5.2-__

Wall Mounted Exposed Bath Set with Hand Shower

Hand Shower Flow Rate: 1.75 GPM

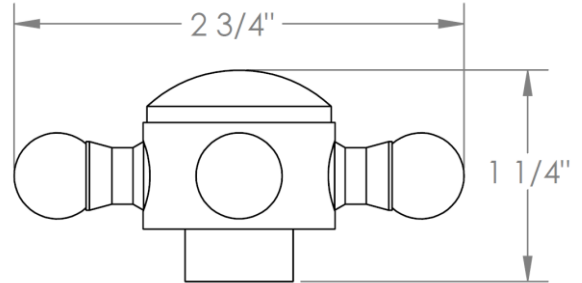
Note: Some building codes may require remote pressure balance valves for anti-scald



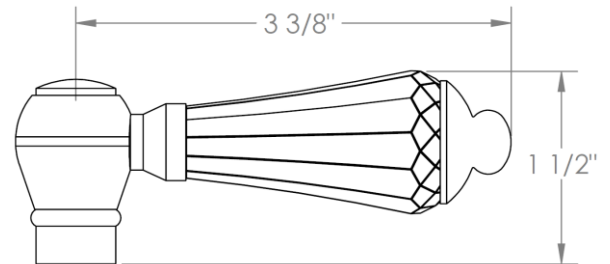
Meets the applicable requirements of ASME A112.18.1-2005/CSA B125.1-05, entitled "Plumbing Supply Fittings"

HANDLE TRIM OPTIONS

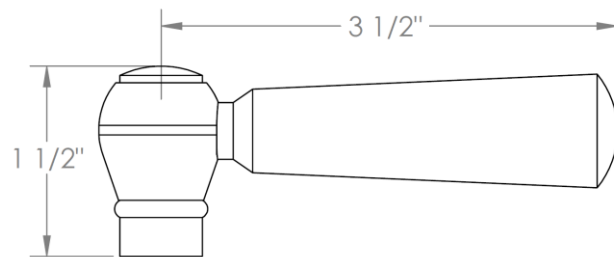
AX – LOS ANGELES



SW – SAN FRANCISCO



WW – BOSTON



Y2 – WILLIAMS

