

# WATERMARK

BROOKLYN, NEW YORK

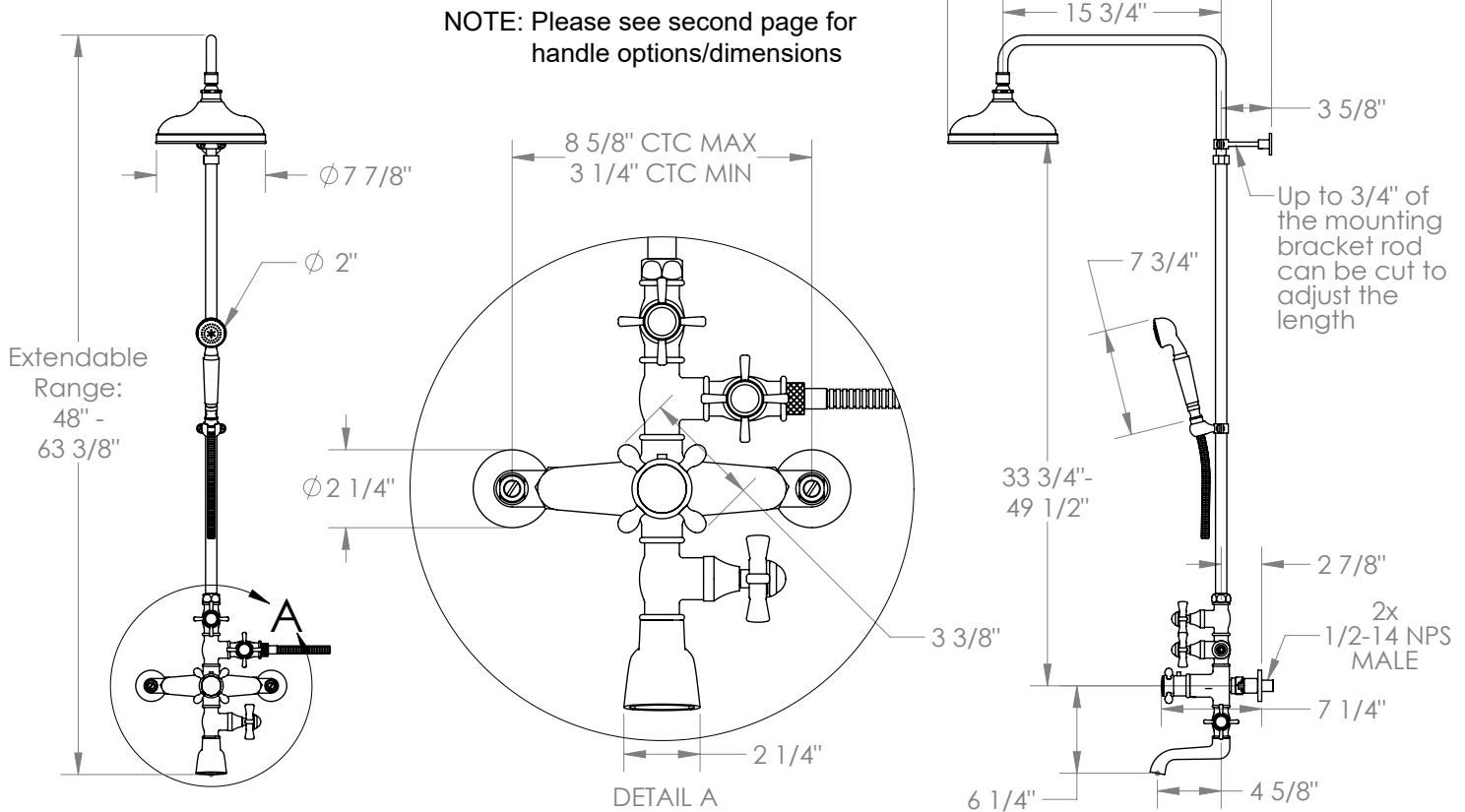
## Stratford 321-EX9500-S1A

Wall Mounted Exposed Thermostatic Tub/Shower  
with Hand Shower Set



- Features an adjustable riser that can raise or lower the height of the shower head.
- Wall bracket can be repositioned along the length of the riser body.
- Includes backflow preventors in the hand shower and water supply inlets.
- Uses a 1/2" thermostatic valve.
- Shower Head: SH-RH075
- Hand Shower: SH-S525-A
- Shower Head + Hand Shower Flow Rate: 1.75 gpm @80 psi
- Tub Filler Flow Rate: 7-8 gpm @80 psi
- Hose: DS- 5079SM (Length: 49")
- Professional Installation Required

Available in all finishes shown on the [Watermark Designs website](http://Watermark Designs website)



Meets the applicable requirements of ASME A112.18.1-2005/CSA B125.1-05, entitled "Plumbing Supply Fittings".

Watermark Designs reserves the right to make revisions without notice to produce specifications. All product dimensions are nominal.

01/2023

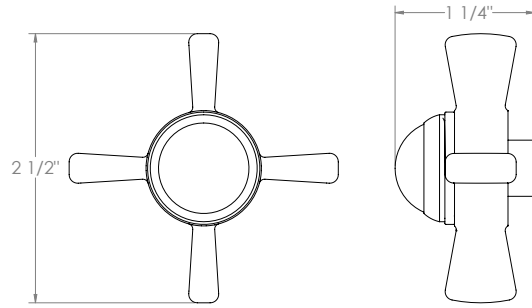
350 Dewitt Ave. Brooklyn, NY 11207 USA | T: 1 718 257 2800 | F: 1 718 257 2144 | [customerservice@watermark-designs.com](mailto:customerservice@watermark-designs.com)

# WATERMARK

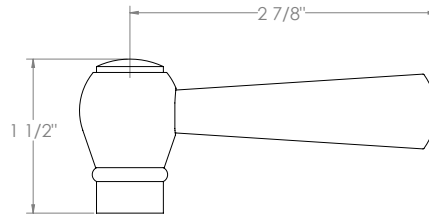
BROOKLYN, NEW YORK

## 206 (PARIS) + 321 (STRATFORD) HANDLE OPTIONS

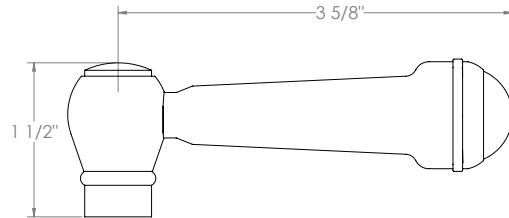
### S1- PRESTON



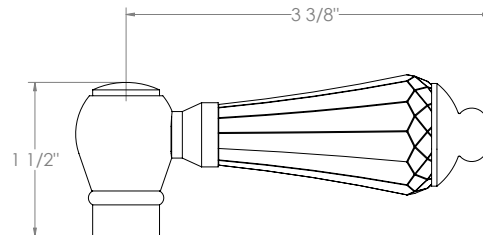
### S1A-NOTTINGHAM



### S2- WALTHAM



### SWA- DARIEN



### V- WALES

