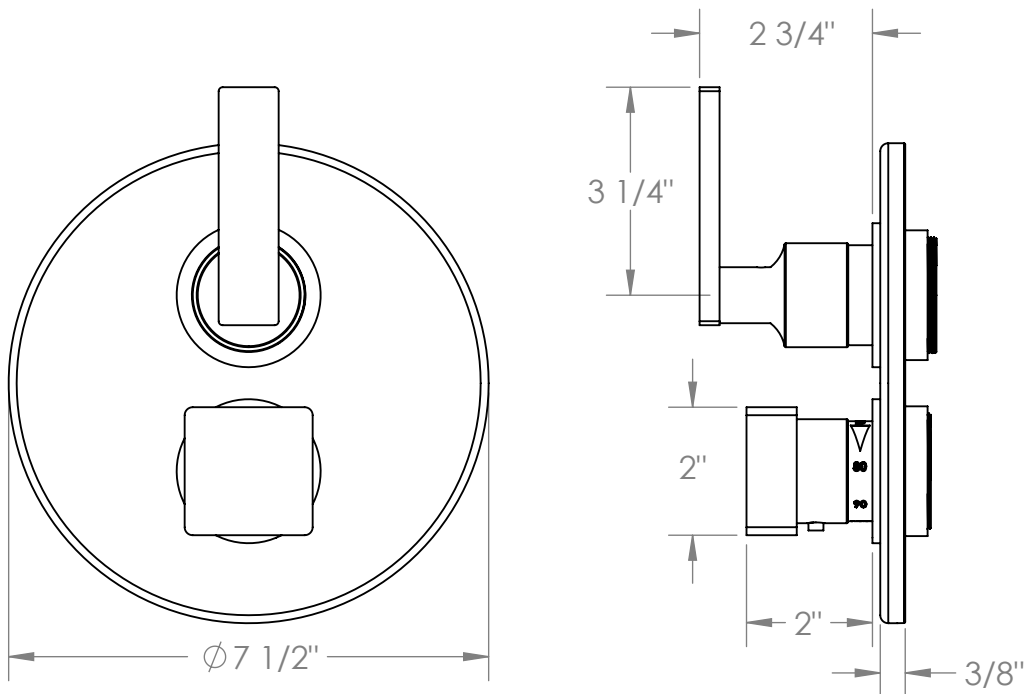
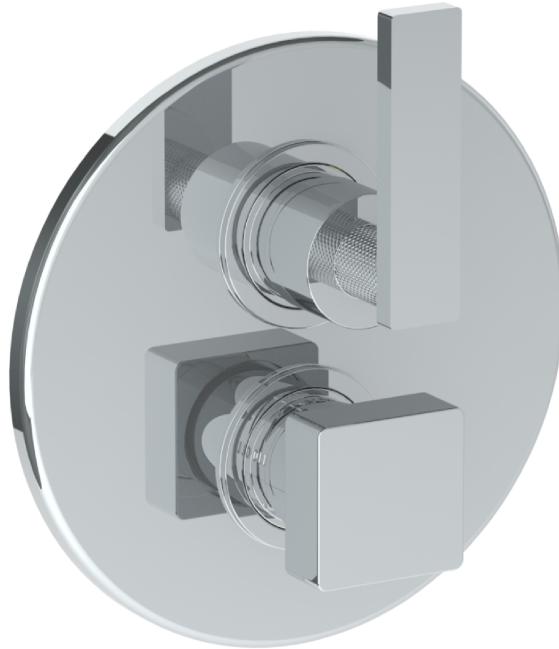


70-T20-RNK8

Wall Mounted Thermostatic Shower Trim with Built-In Control
For use with SS-TH2000, SS-TH4000 or SS-THVD2



Meets the applicable requirements of ASME A112.18.1-2005/CSA B125.1-05, entitled "Plumbing Supply Fittings"