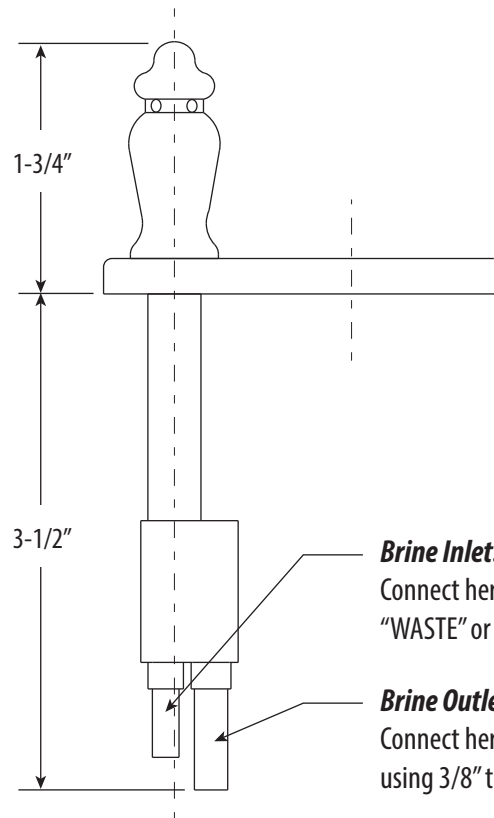
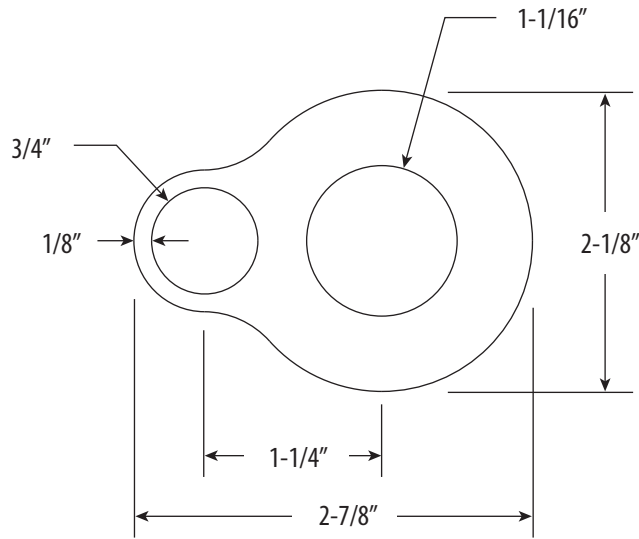


TRADITIONAL REVERSE OSMOSIS AIR GAP

2100



Brine Inlet:
Connect here from RO connection marked "WASTE" or "DRAIN"

Brine Outlet:
Connect here to drain under sink using 3/8" tubing.

DIMENSIONS MAY VARY AND ARE SUBJECT TO CHANGE. NO RESPONSIBILITY IS ASSUMED FOR USE OF SUPERCEDED OR VOIDED DATA

