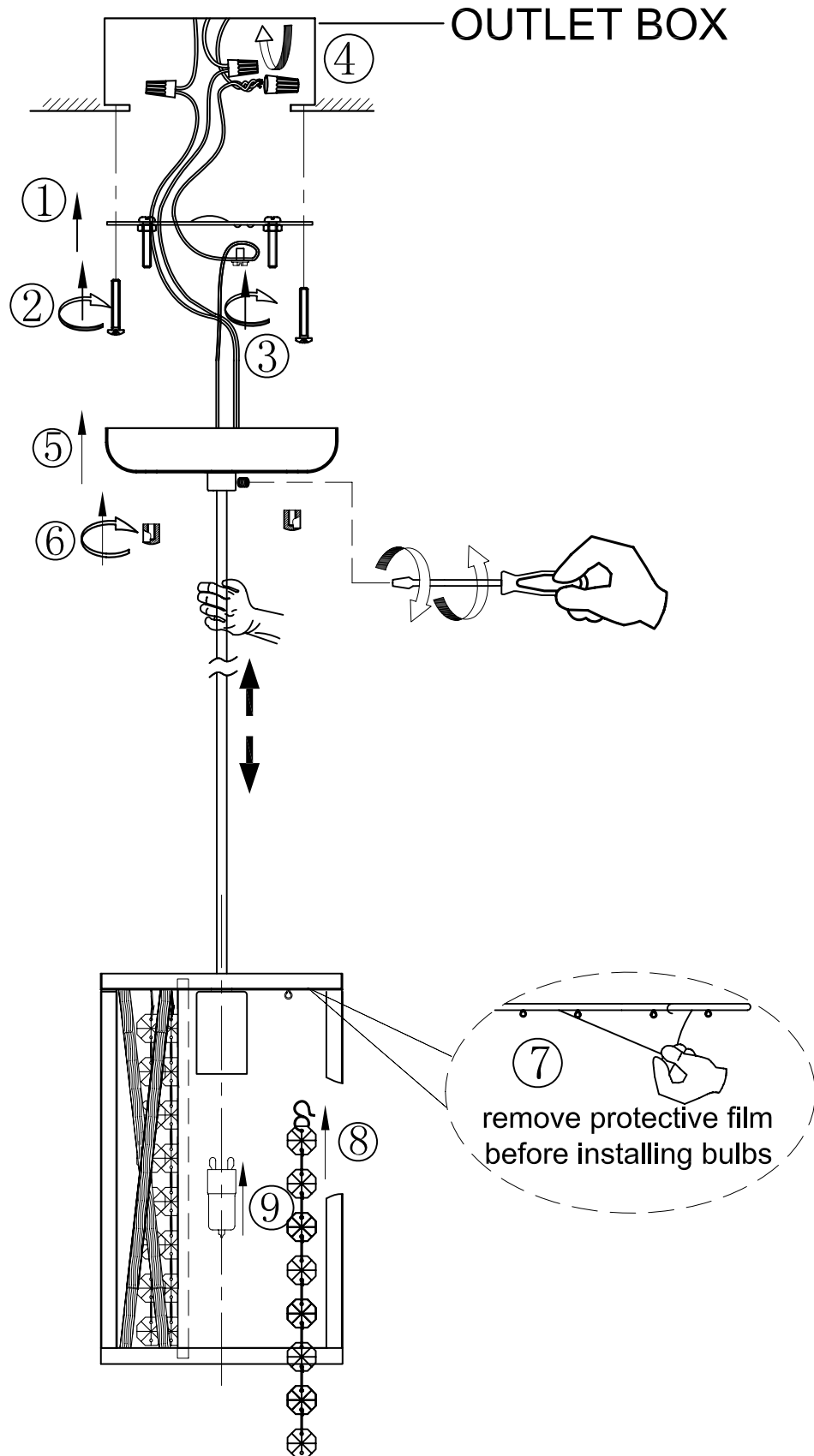


INSTALLATION INSTRUCTION

Item No.: 872CH-SMP



FEATURE

● 120V ~ 60HZ

● Lamp Type: G9 MAX 40W

The lamp is for indoor use only

Turn power off to outlet before beginning installation