

### Technology

- Frameless, 1/4-inch-thick Frosted tempered glass.
- Improved bypassing mechanism for smoother feel.
- Solid-metal contemporary towel bar design.
- CleanCoat® nanotechnology helps prevent bacteria, mildew and water stains on your glass, making it easy to clean and looking new.
- Reversible top track offers a choice of curved or flat profile.
- Out-of-plumb adjustability for easy installation.

### Installation

- Sliding shower door.
- Not for use in hospitality.



### Codes/Standards

CPSC 16CFR 1201

### KOHLER® One-Year Limited Warranty

See website for detailed warranty information.

### Available Colors/Finishes

*Color tiles intended for reference only.*

Color	Code	Description
-------	------	-------------

SHP

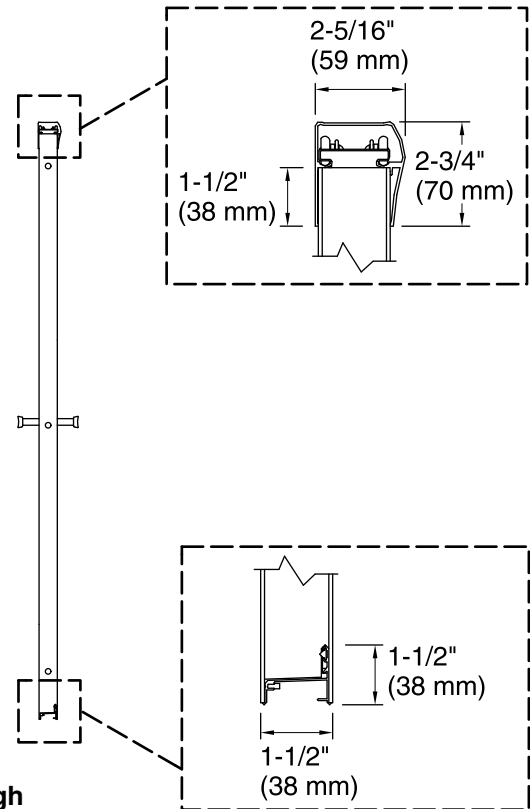
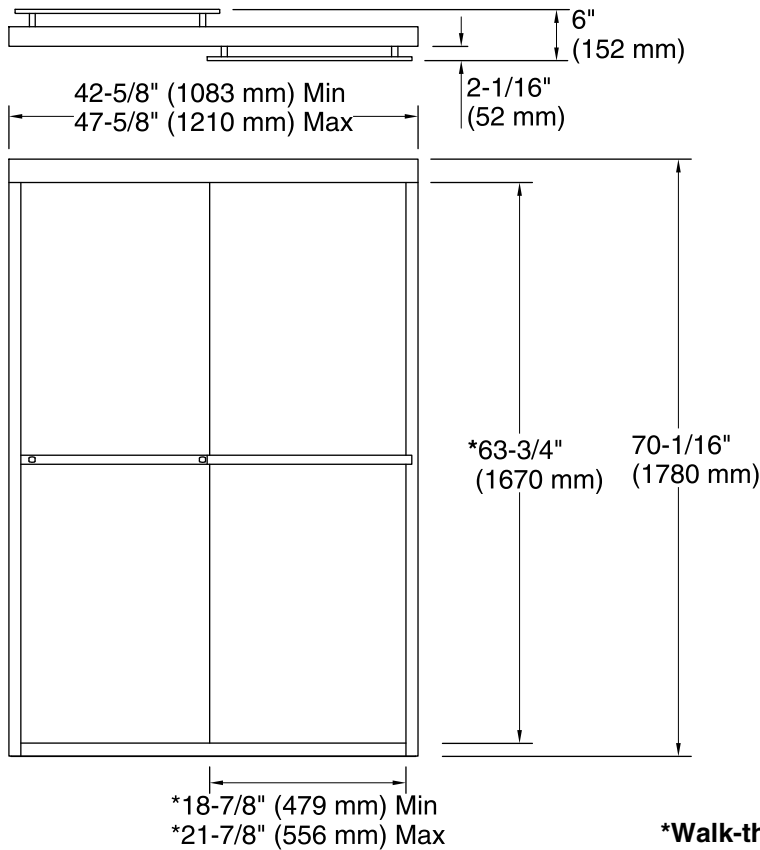
MX

ABZ

### Available Glass Options

Code	Description
------	-------------

D3 Frosted



### Technical Information

All product dimensions are nominal.

Installation type: For shower base installation

Opening Width - Min: 42-5/8" (1083 mm)

Opening Width - Max: 47-5/8" (1210 mm)

Walk-through - Min: 18-7/8" (479 mm)

Walk-through - Max: 21-7/8" (556 mm)

Glass thickness: 1/4" (6 mm)

Glass coating: CleanCoat®

### Notes

Install this product according to the installation instructions.

The vertical opening should be a minimum of 72" (1829 mm) to allow for installation clearance.