

Specification Sheets for Celebria Milo & Amiri Town Vanities.

SPECIFICATION VARIANCES

Dimensions on finished vanities may vary slightly from those shown on these specification sheets due to variability in construction materials.

Our products are engineered to maintain close dimensional tolerances but variability in manufacturing materials can change dimensions slightly (normally within $\pm 1/8"$ but occasionally up to $\pm 3/16"$).

In most applications these slight variations will have no impact upon installation, appearance or function. However, when planning and finishing a space for a built in vanity, **do not frame or finish the space before measuring the actual cabinet!**

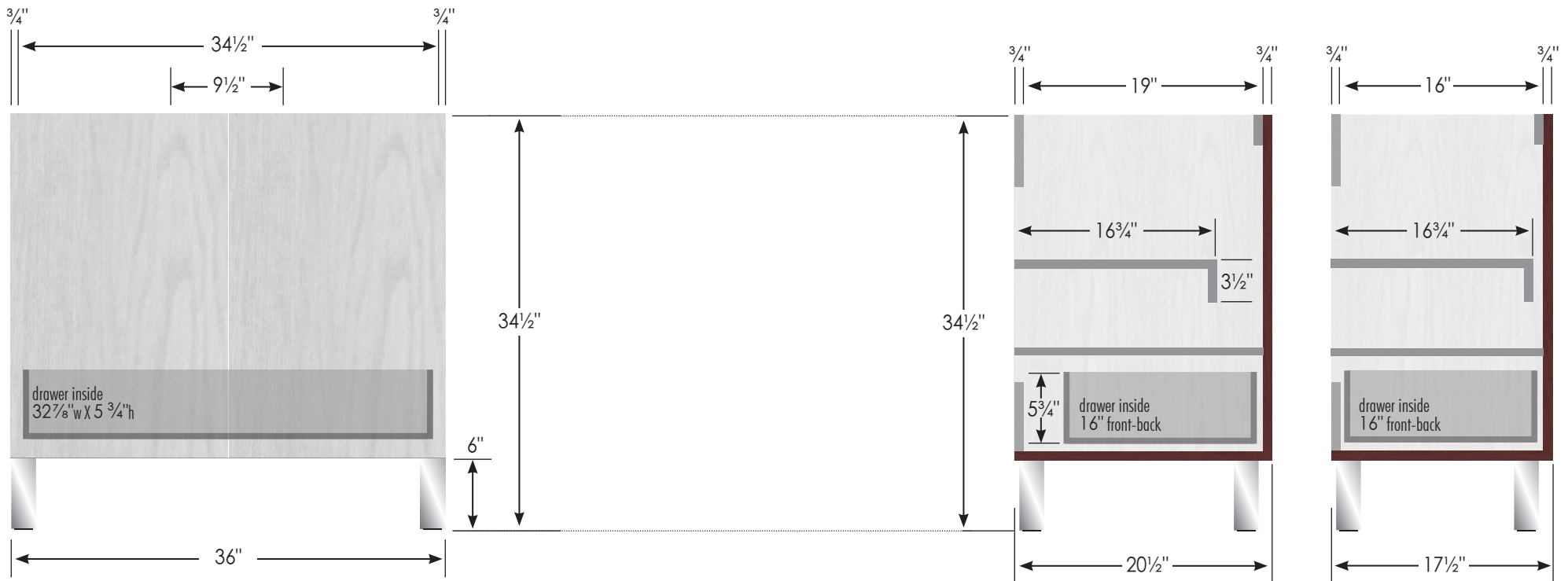
We can not be responsible for any expenses incurred as a result of the end user or contractor not following this guideline.

REV: 2021-01

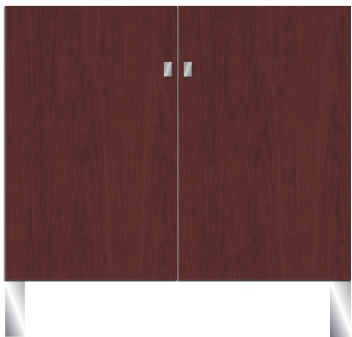
STRASSER

Specifications:

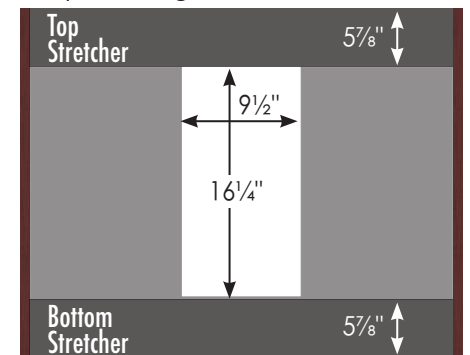
Celebria Milo Vanity
36" wide



36" wide, 34½" tall
20½" or 17½" front-to-back



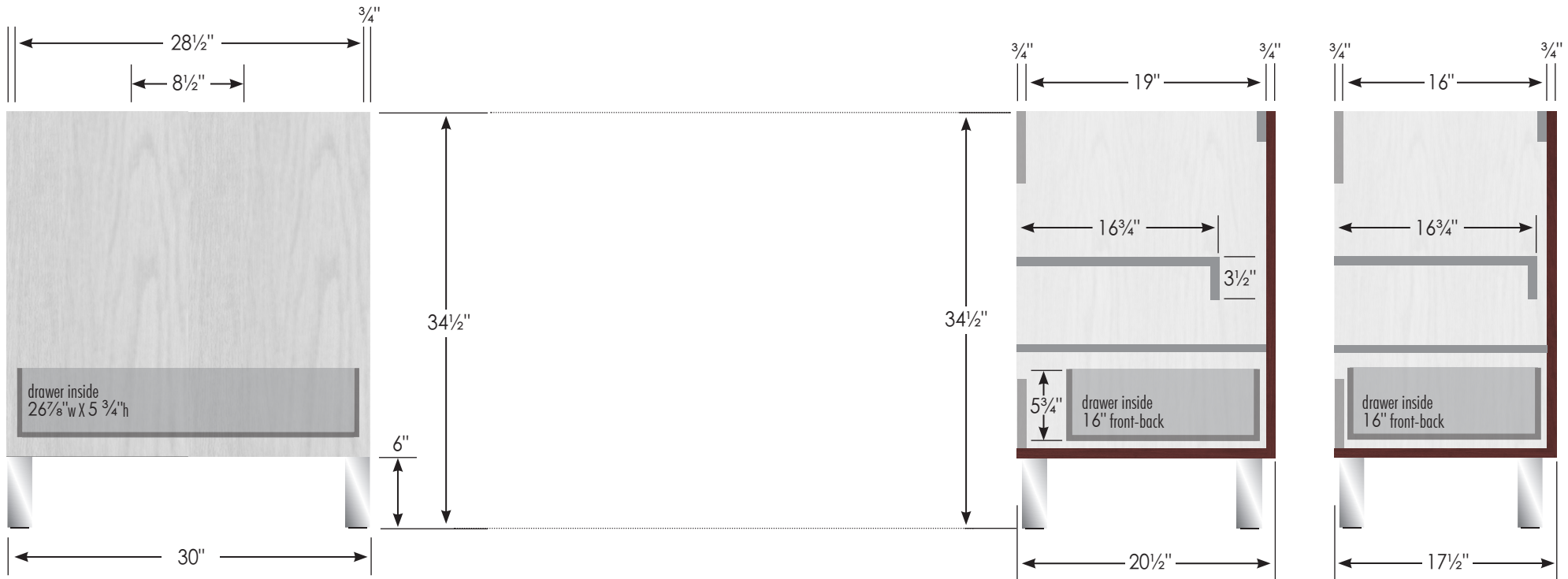
Vanity back clear openings
for plumbing



STRASSER

Specifications:

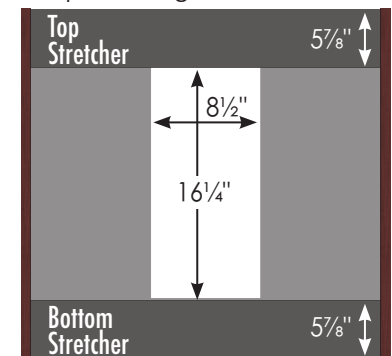
Celebria Milo Vanity
30" wide



30" wide, 34½" tall
20½" or 17½" front-to-back



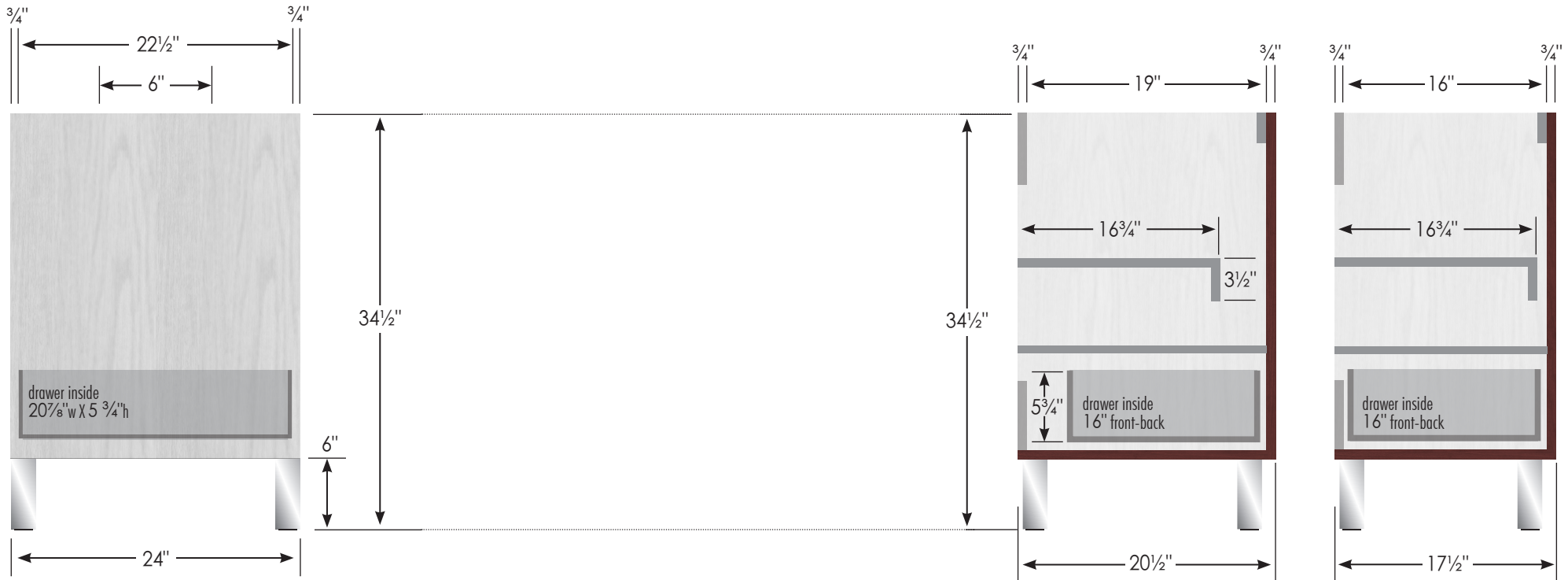
Vanity back clear openings
for plumbing



STRASSER

Specifications:

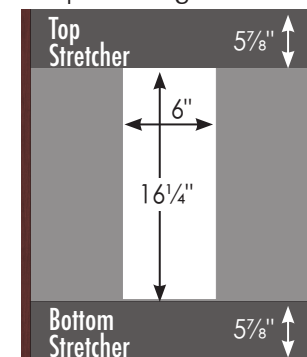
Celebria Milo Vanity
24" wide



24" wide, 34 1/2" tall
20 1/2" or 17 1/2" front-to-back



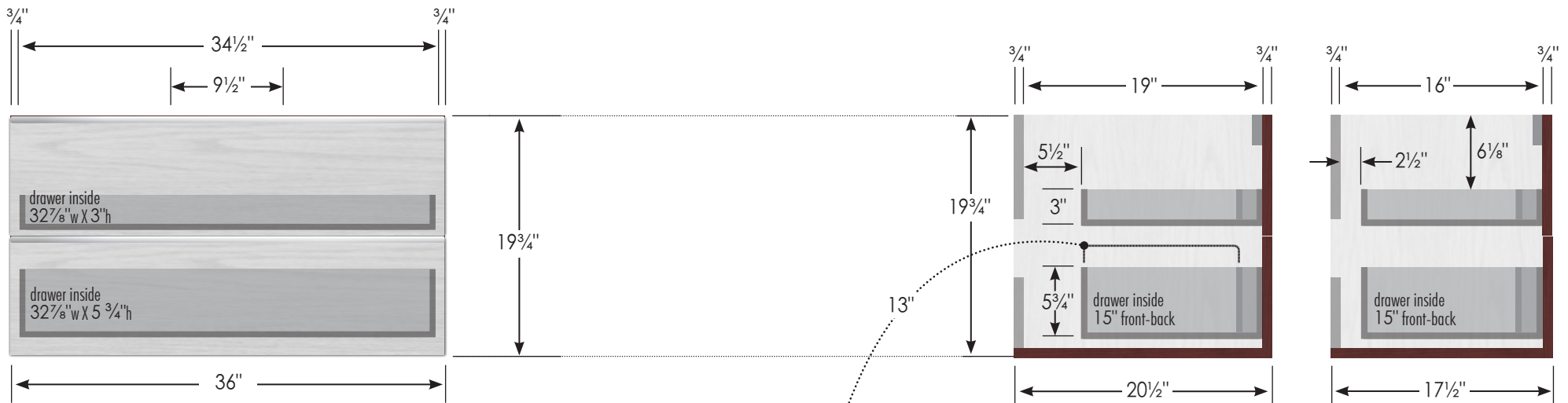
Vanity back clear openings
for plumbing



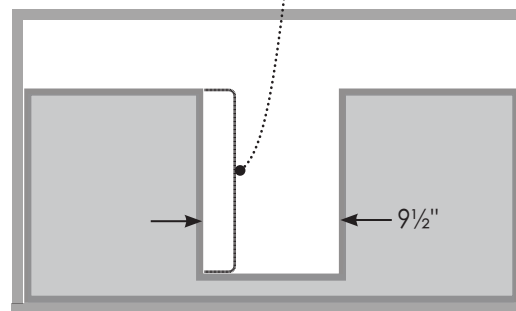
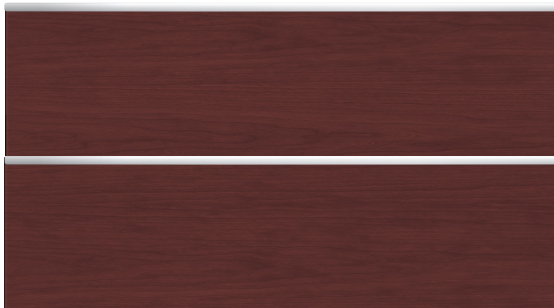
STRASSER

Specifications:

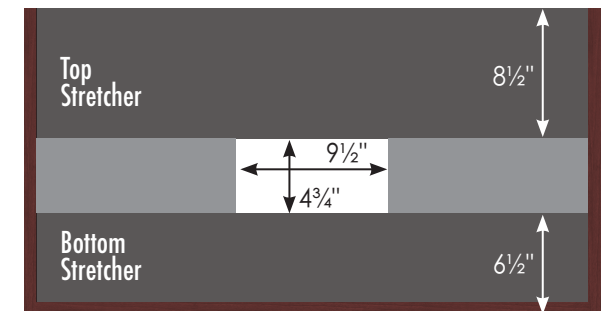
Celebria Amiri Vanity
36" wide



36" wide, 34½" tall
20½" or 17½" front-to-back



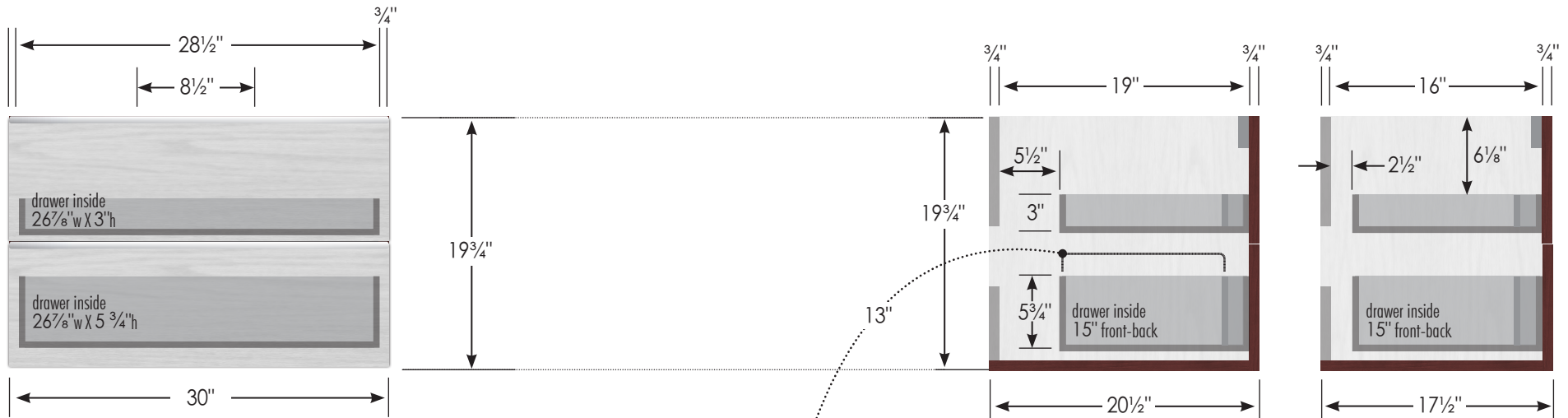
Vanity back clear openings
for plumbing



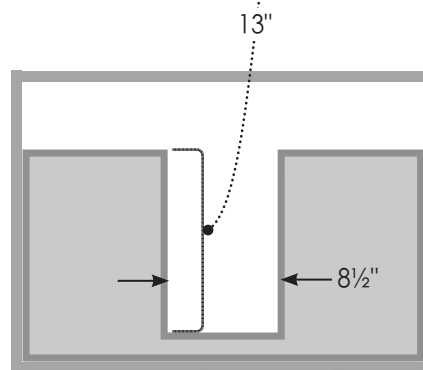
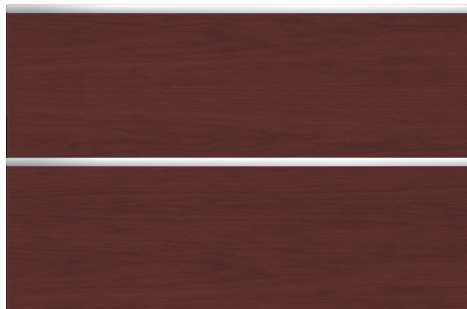
STRASSER

Specifications:

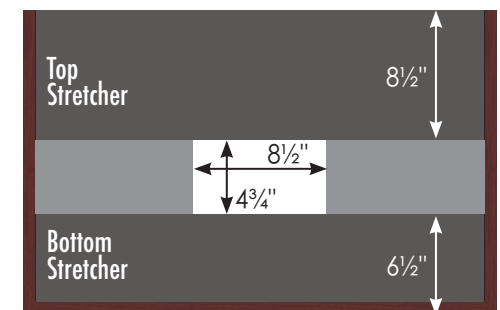
Celebria Amiri Vanity
30" wide



30" wide, 34 1/2" tall
20 1/2" or 17 1/2" front-to-back



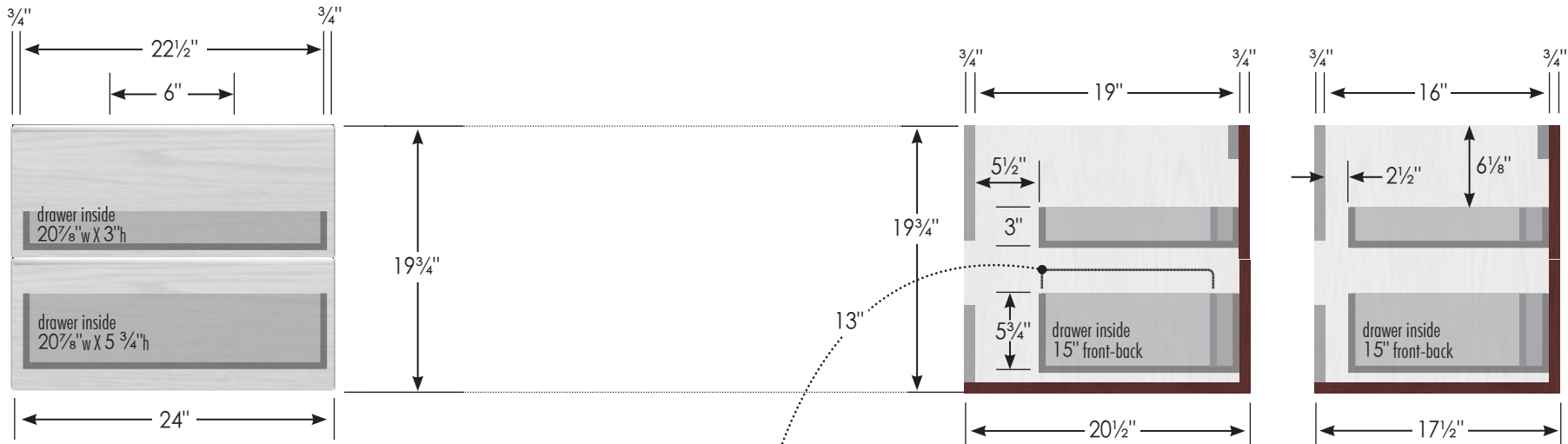
Vanity back clear openings
for plumbing



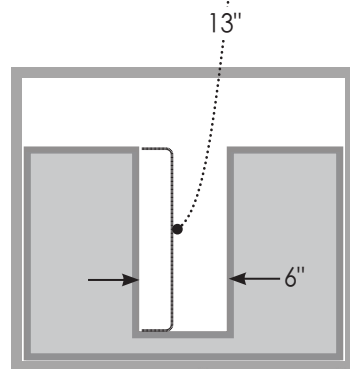
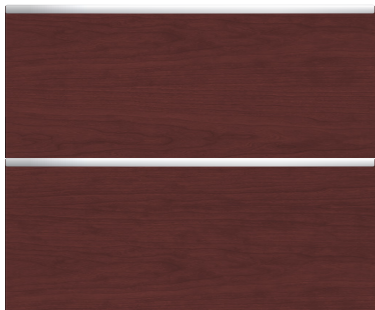
STRASSER

Specifications:

Celebria Amiri Vanity
24" wide



24" wide, 34 1/2" tall
20 1/2" or 17 1/2" front-to-back



Vanity back clear openings
for plumbing

