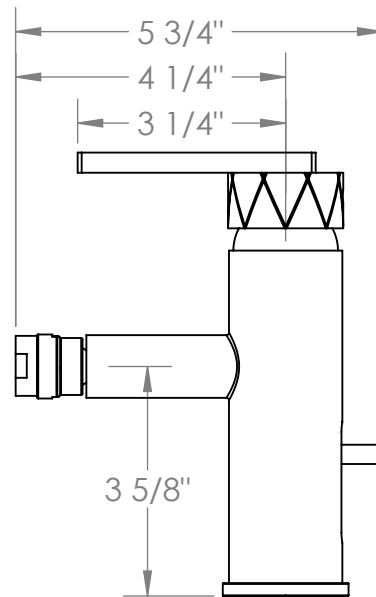
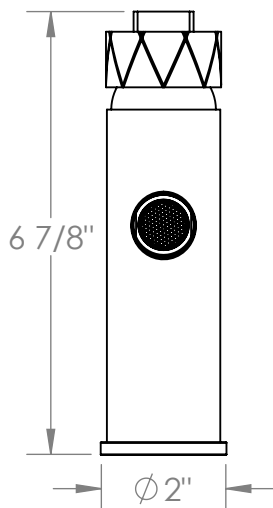


# 71-4.1-LLD4

Deck Mounted Monoblock Bidet Mixer  
Includes MPU7 pop-up drain

Note: Some building codes may require backflow preventers installed in the supply lines



Meets the applicable requirements of ASME A112.18.1-2005/CSA B125.1-05, entitled "Plumbing Supply Fittings"